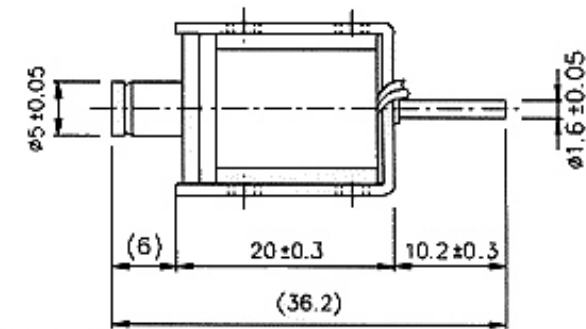
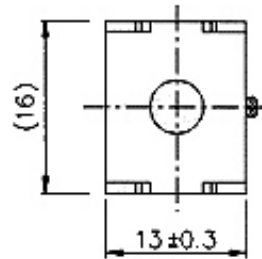
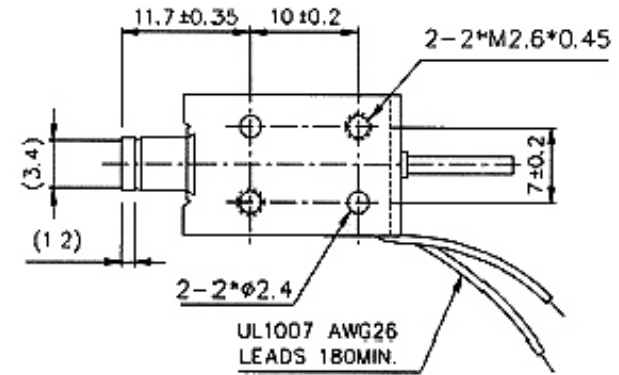
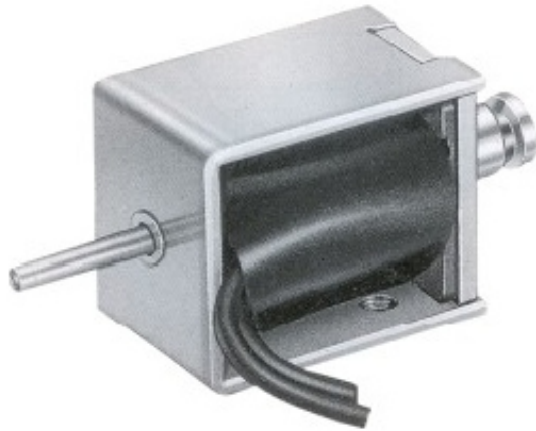


Description:

Plunger Weight: 2.4g / Total Weight: 18g

Type:RG-O-0520S

Name:Open Frame Solenoid



Shown Energized UNIT: mm



PART NO. **RG-O-0520S**

DWG NO. **RG-O-0520S**

CHECKED BY CY

TOLERANCES ARE

DESCRIPTION:

FILE NO.

DRAWING BY

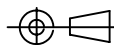
.X ± 0.2
.XX ±
.XXX ±
AWG

煜倫股份有限公司

UNIT / mm

SCALE 1:1

PROJECTION

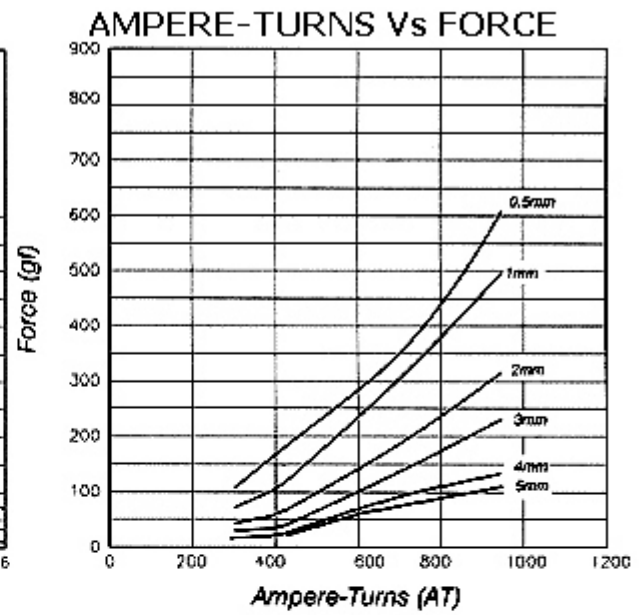
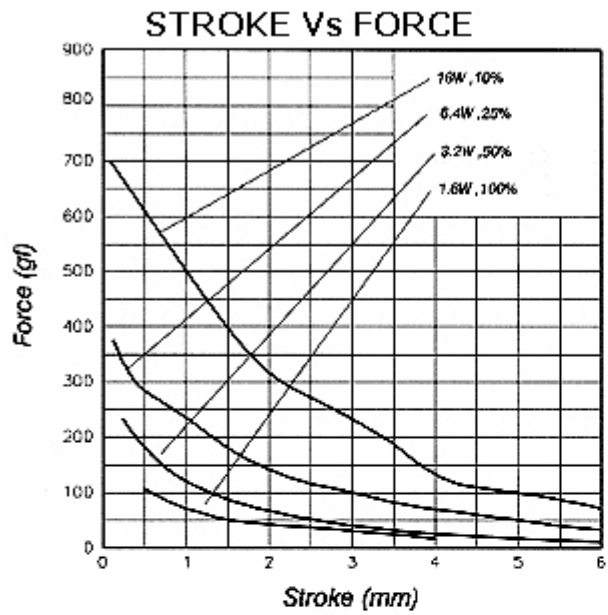


AREA

REVISIONS

HK

DATE



COIL DATA

Duty cycle(%) = $\frac{\text{"ON" time}}{\text{"ON" time} + \text{"OFF" time}} \times 100\%$			Continuous (100%)	Or less (50%)	Or less (25%)	Or less (10%)
MAX. "on" time in seconds			∞	55	19	3
Watts at 20°C			1.6	3.2	6.4	16.0
Ampere-turns at 20°C			300	424	600	948
Type no.	Resistance (20°C) Ω ±10%	No. turns	Volts DC			
RG-O-0520S06AA	23	1150	6	8.5	12	19
RG-O-0520S12AA	90	2290	12	17	24	38
RG-O-0520S24AA	360	4500	24	34	48	76
RG-O-0520S48AA	1440	8600	48	68	96	152



PART NO. **RG-O-0520S**

DWG NO. **RG-O-0520S**

FILE NO.

UNIT / mm

SCALE 1:1

CHECKED BY CY

DRAWING BY

PROJECTION

TOLERANCES ARE
.X ± 0.2
.XX ±
.XXX ±
AWG

DESCRIPTION:			
AREA	REVISIONS	HK	DATE

煜倫股份有限公司