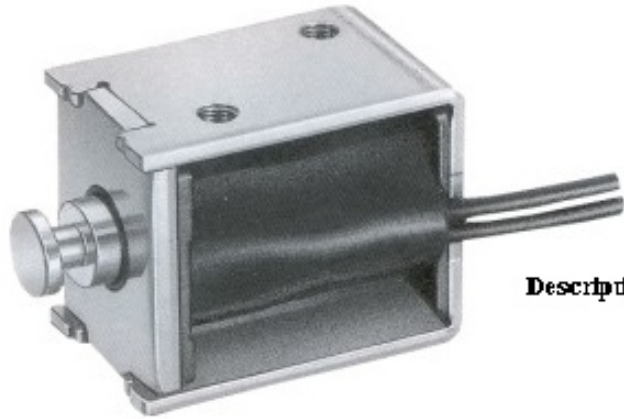
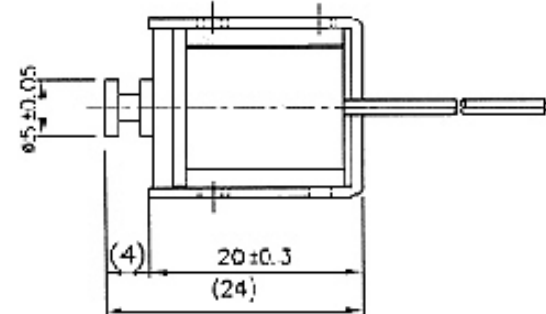
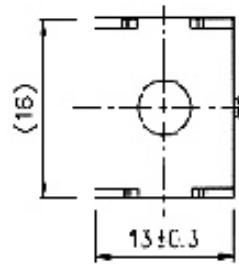
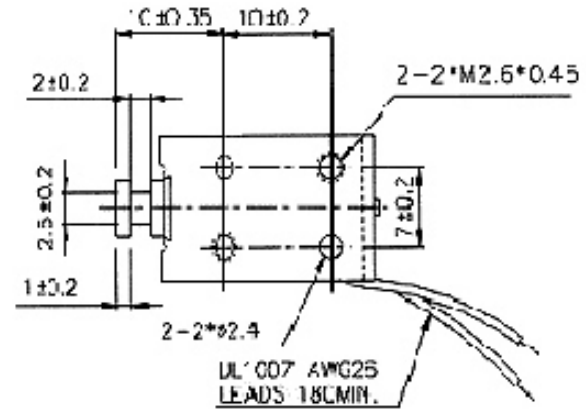


Type:RG-O-0520L
 Name:Open Frame Solenoid

Plunger Weight: 2.4g / Total Weight: 18g



Description:



Shown Energized UNIT mm



PART NO. **RG-O-0520L**

DWG NO. **RG-O-0520L**

FILE NO.

UNIT / mm

SCALE 1:1

CHECKED BY CY

DRAWING BY

PROJECTION

TOLERANCES ARE

.X ± 0.2
 .XX ±
 .XXX ±
 AWG

DESCRIPTION:

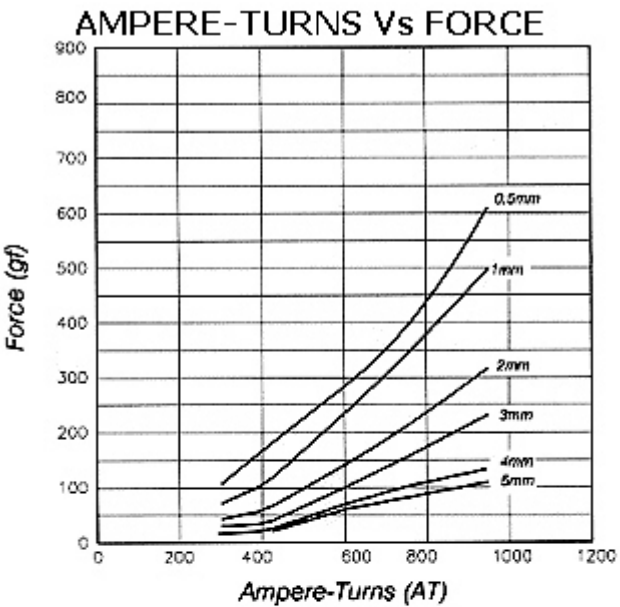
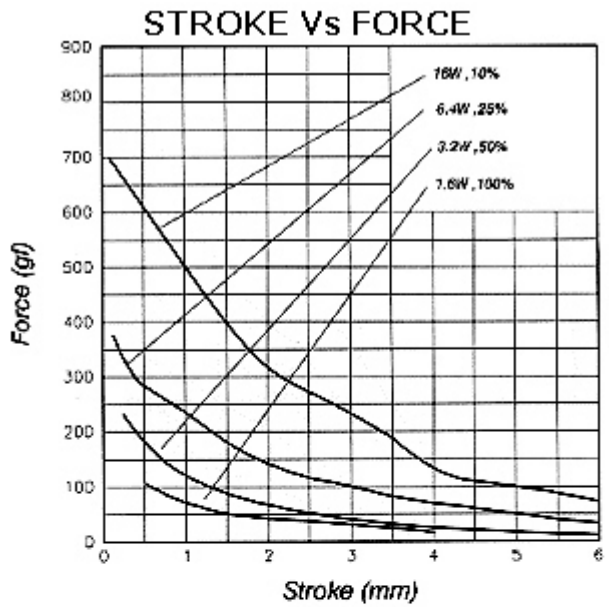
AREA

REVISIONS

HK

DATE

煜倫股份有限公司



COIL DATA

Duty cycle(%)= $\frac{\text{"ON" time}}{\text{"ON" time} + \text{"OFF" time}} \times 100\%$			Continuous (100%)	Or less (50%)	Or less (25%)	Or less (10%)
MAX. "on" time in seconds			∞	55	19	3
Watts at 20°C			1.6	3.2	6.4	16.0
Ampere-turns at 20°C			300	424	600	948
Type no.	Resistance (20°C) Ω ±10%	No. turns	Volts DC			
RG-O-0520L06AA	23	1150	6	8.5	12	19
RG-O-0520L12AA	90	2290	12	17	24	38
RG-O-0520L24AA	360	4500	24	34	48	76
RG-O-0520L48AA	1440	8600	48	68	96	152



PART NO. RG-O-0520L		CHECKED BY CY	TOLERANCES ARE .X ± 0.2 .XX ± .XXX ± AWG	DESCRIP TION:			
DWG NO. RG-O-0520L							
FILE NO.		DRAWING BY		AREA	REVISIONS	HK	DATE
UNIT / mm	SCALE 1:1	PROJECTION					

煜倫股份有限公司