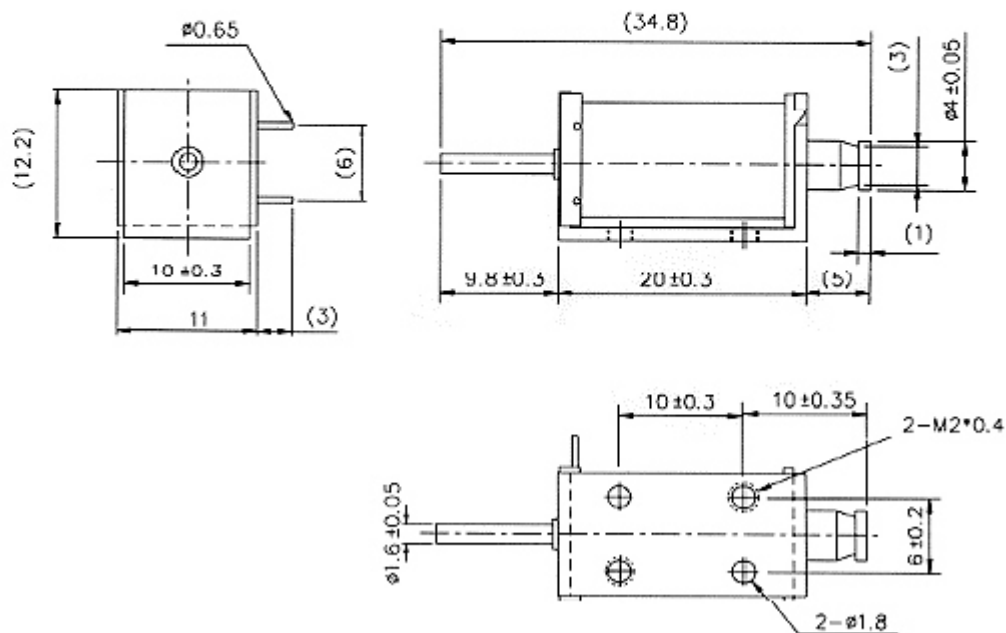


Description:

Plunger Weight: 2g / Total Weight: 8g



Shown Energized ??UNIT: mm

MORETHANALL
CONNECTORS
ASSEMBLIES

PART NO. **RG-O-0420S**

DWG NO. **RG-O-0420S**

CHECKED BY CY

TOLERANCES ARE

DESCRIPTION:

FILE NO.

DRAWING BY

.X ± 0.2

.XX \pm

.XXX \pm

AWG

AREA

REVISIONS

HK

DATE

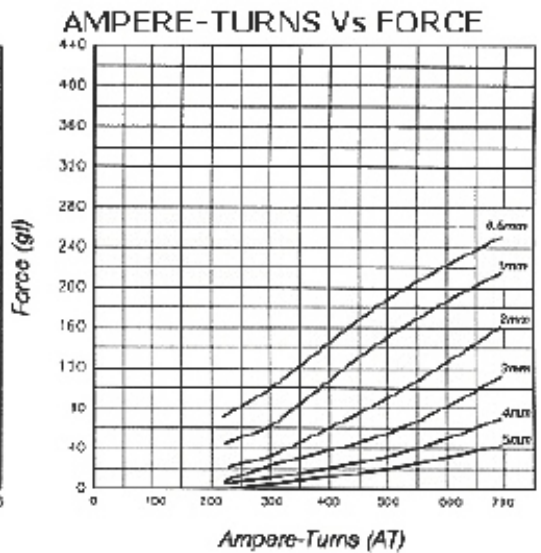
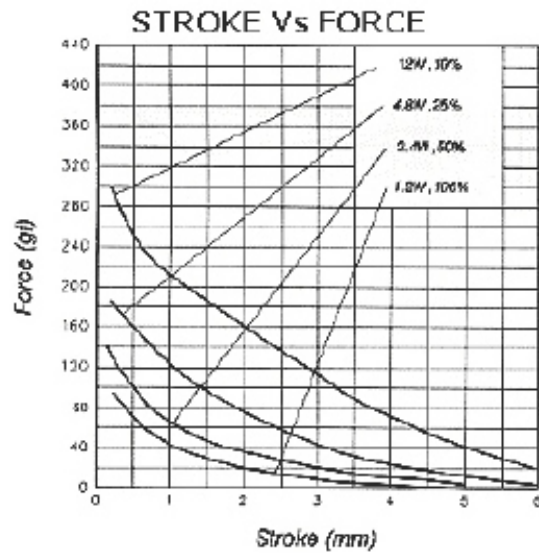
焜倫股份有限公司

UNIT / mm

SCALE 1:1

PROJECTION





COIL DATA

Duty cycle(%) = $\frac{\text{"ON" time}}{\text{"ON" time} + \text{"OFF" time}} \times 100\%$		Continuous (100%)	Or less (50%)	Or less (25%)	Or less (10%)	
MAX. "on" time in seconds		∞	50	18	2	
Watts at 20°C		1.2	2.4	4.8	12.0	
Ampere-turns at 20°C		219	309	438	692	
Type no.	Resistance (20°C) Ω ±10%	No. turns	Volts DC			
RG-O-0420S06AA	30	1095	6	8.5	12	19
RG-O-0420S12AA	120	2190	12	17	24	38
RG-O-0420S24AA	480	4380	24	34	48	76
RG-O-0420S48AA	1920	8760	48	68	96	152



PART NO. **RG-O-0420S**

DWG NO. **RG-O-0420S**

FILE NO.

UNIT / mm

SCALE 1:1

CHECKED BY CY

DRAWING BY

PROJECTION

TOLERANCES ARE

.X ± 0.2
.XX ±
.XXX ±
AWG

DESCRIPTION:

AREA

REVISIONS

HK

DATE

煜倫股份有限公司