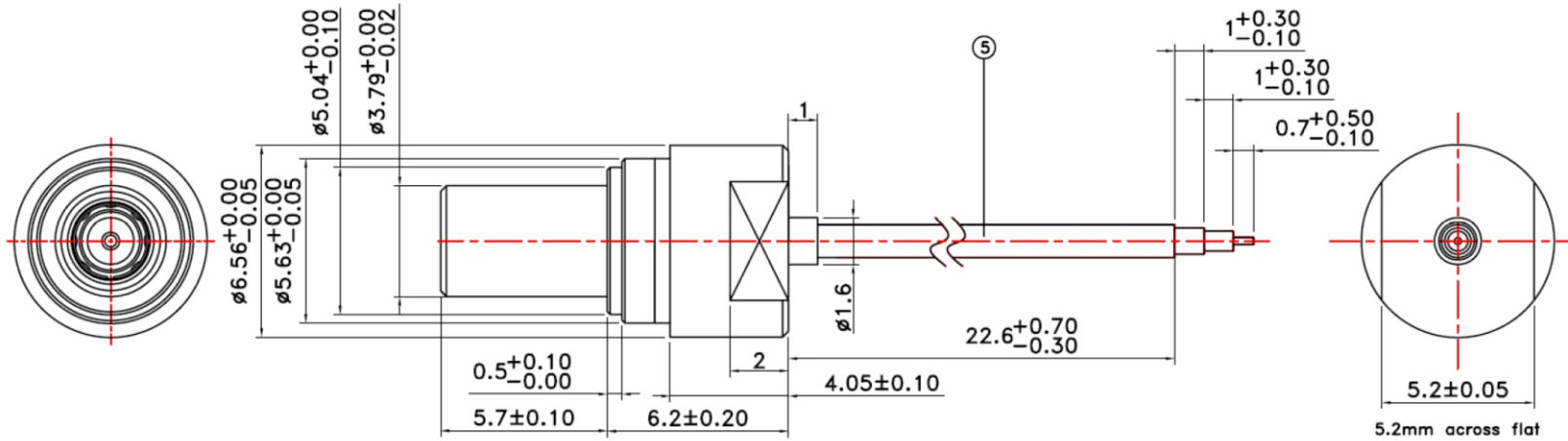
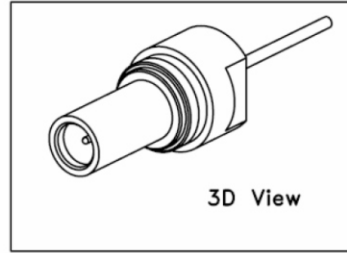


No.	Part Name	Material	Plating Sub.	Q'ty
①	Body	Brass(C3604)	Nickel Plated	1
②	Contact Pin	Phosphor bronze C5441B	Gold Plated	1
③	Insulator	PTFE		1
④	Collet	BeCu(C1720)	Nickel Plated	1
⑤	Cable	∅1.13	Black	1
⑥	Housing	Brass(C3604)	Nickel Plated	1
⑦	Neck Ring	Brass(C3604)	Gold Plated	1
⑧	Pin Holder	PTFE		1
⑨	Cable Holder	Brass(C3604)	Nickel Plated	1
⑩	지지대	Brass(C3604)		1



	Cable	Strip
1	$\phi 1.13$ SF034 SR034	

RoHS Compliant

MORETHANALL
CONNECTORS
ASSEMBLIES

PART NO. RFWX1-1S1X113-M2C26

DWG NO. RFWX1-1S1X113-M2C26

CHECKED BY CY

TOLERANCES ARE

DESCRIPTION:

FILE NO.

DRAWING BY

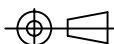
.X ± 0.2
.XX \pm
.XXX \pm
AWG

煜倫股份有限公司

UNIT / mm

SCALE 1:1

PROJECTION



AREA

REVISIONS

HK

DATE