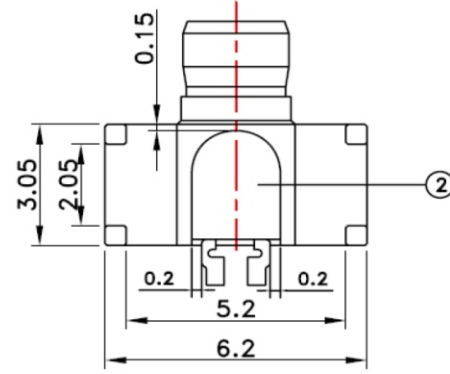
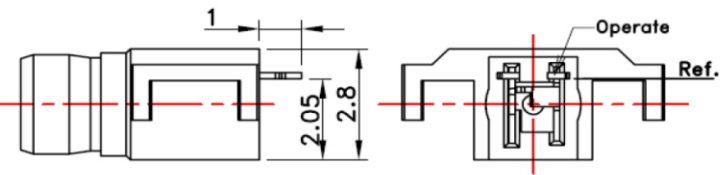
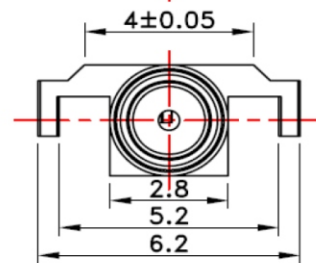
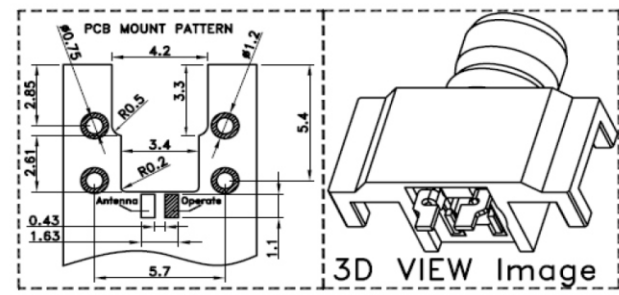
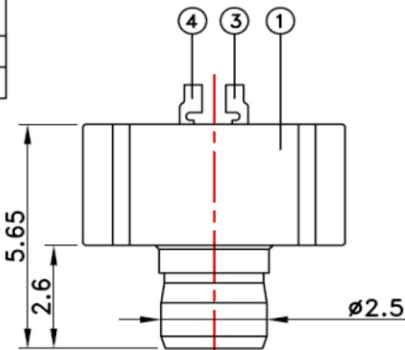
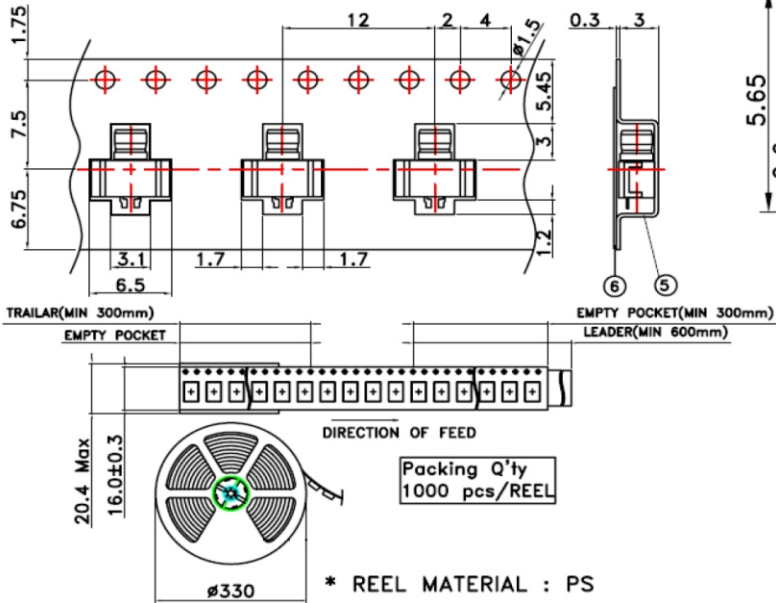


No	Part Name	Material	Plating Sub.	etc.
①	Body	Brass	Gold Plated	
②	Isolator	PA6T	Color-Black	GF30%
③	Contact-Pin1	P-BZ(C5210)	Gold Plated	Antenna
④	Contact-Pin2	BeCu	Gold Plated	Operate
⑤	Emboss Tape	PS	Not Plated	16mm * 8P
⑥	Cover Tape	PS	Not Plated	13.5mm



RFW-JWFR-50-LF
LEADFREE

RoHS Compliant

MORETHANALL
CONNECTORS
ASSEMBLIES

PART NO. RFW-JWFR-50

DWG NO. RFW-JWFR-50

FILE NO.

CHECKED BY CY

DRAWING BY

PROJECTION

TOLERANCES ARE

.X ± 0.2
.XX ±
.XXX ±
AWG

DESCRIPTION:

AREA

REVISIONS

HK

DATE

煜倫股份有限公司

UNIT / mm

SCALE 1:1