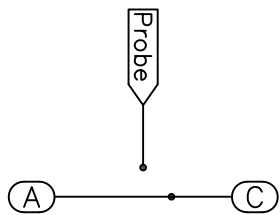
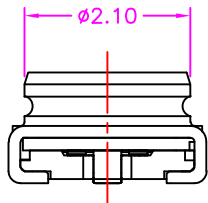
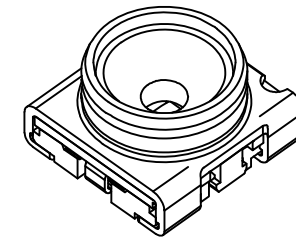
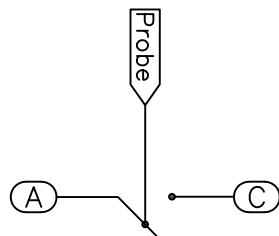


MATERIALS

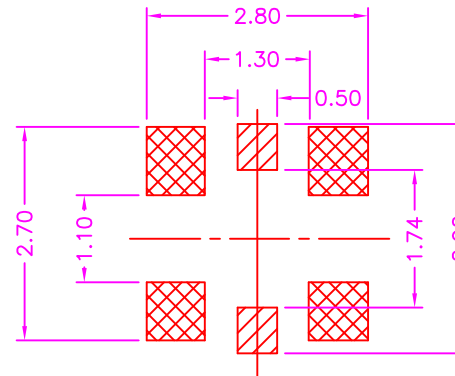
HOUSING: HI-TEMP. PLASTIC (UL 94V-0), BLACK
 SHELL: COPPER ALLOY, GOLD PLATING
 TERMINAL: COPPER ALLOY, GOLD PLATED



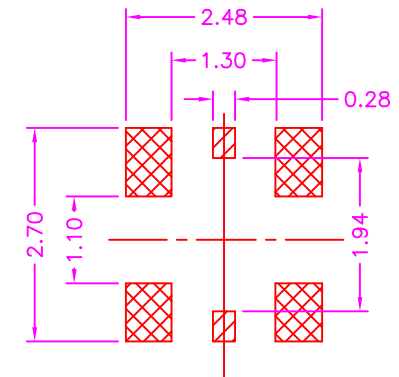
UNMATING



MATING WITH PROBE



RECOMMENDED PCB LAYOUT



RECOMMENDED STENCIL MASK PATTERN

P.C.B LAYOUT
 TOP VIEW ±0.05

照片框

RoHS Compliant

TOLERANCES ARE

MORETHANALL
 PCB CONNECTORS
 Cable ASSEMBLIES

煜倫股份有限公司

www.morethanall.com

DRAWING BY CY

CHECKED BY GENIUS

UNIT/mm SCALE 1:1

DATE

SIZE A4

X. ± 0.40

.X ± 0.30

.XX ± 0.20

.XXX ± 0.10

ANG ±

PJECTION

ORDER INFORMATION

RFS-JV14R-50-LF
 SERIES | | | | LEADFREE
 | | | | 50 OHM
 | | | | REEL
 | | | | HIGH 1.40mm
 | | | | 180°SMT
 | | | | JACK

DESCRIPTION:RF SWITCH (MICROWAVE SWITCH COAXIAL) MODEL 2, SMT

