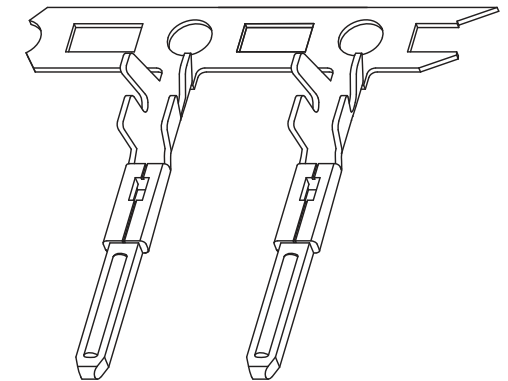


**NOTE :**

- \* Material : Brass(Lead Free)
- \* Finish : Plated Tin over Nickel
- \* Electrical rating : 250V 30A , AC/DC
- \* Applicable wire : AWG# 28-#22



**RoHS Compliant**

TOLERANCES ARE

**MORETHANALL**  
PCB CONNECTORS  
Cable ASSEMBLIES

煜倫股份有限公司

www.morethanall.com

DRAWING BY CY

CHECKED BY GENIUS

UNIT / mm

SCALE 1 : 1

DATE

SIZE A4

X, ±  
.X ± 0.30  
.XX ± 0.20  
.XXX ± 0.10  
ANG ± 2°

PJECTION

照片框

**ORDER INFORMATION**

**RCY25-M-22-LF**  
SERIES | LEADFREE  
22-28 AWG  
MALE TERMINAL

DESCRIPTION: 2.50mm Wire to Wire