

NOTES:

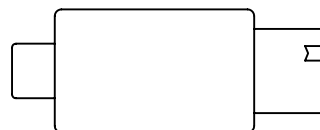
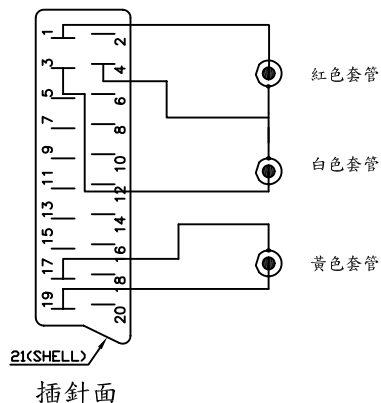
1.MATERIALS

- 1.1 Insulator: P.C. Or P.B.T.
- 1.2 Contact:Brass 0.3T
- 1.3 Shell:ABS

2.SPECIFICATIONS

- 2.1 Current Rating: 1Amp
- 2.2 Dielectric Strength: 1000V AC for one minute
- 2.3 Insulator Resistance: 5000 M ohms Min
- 2.4 Contact Resistance: 8m ohms Max
- 2.5 Operation Temperature: -55°C to +105°C

裝配掃把頭公



**MORETHANALL**  
CONNECTORS  
ASSEMBLIES

PART NO. RCSC-AAOUT-0305

DWG NO. RCSC-AAOUT-0305

CHECKED BY CY

TOLERANCES ARE

DESCRIP TION: 3RCA對一個SCART公頭 (OUT)

FILE NO.

DRAWING BY

.X ± 0.5  
.XX ± 0.2  
.XXX ±  
AWG

AREA

REVISIONS

HK

DATE

煜倫股份有限公司

UNIT / mm

SCALE 1:1

PROJECTION

