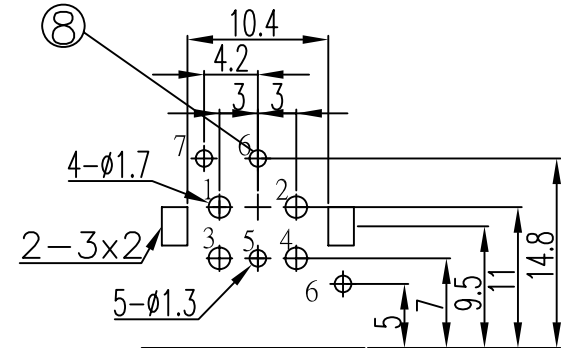
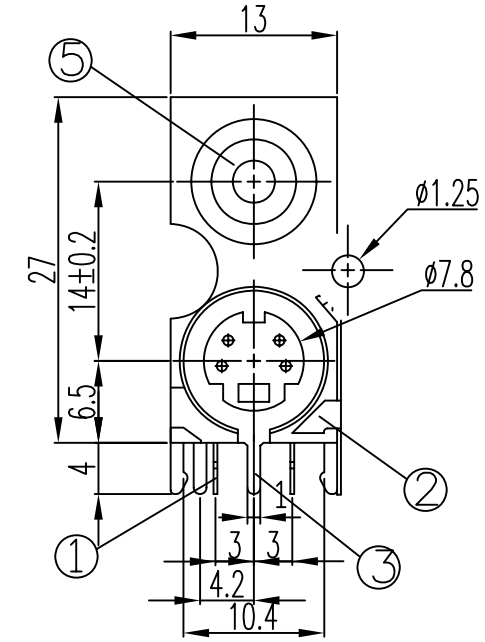
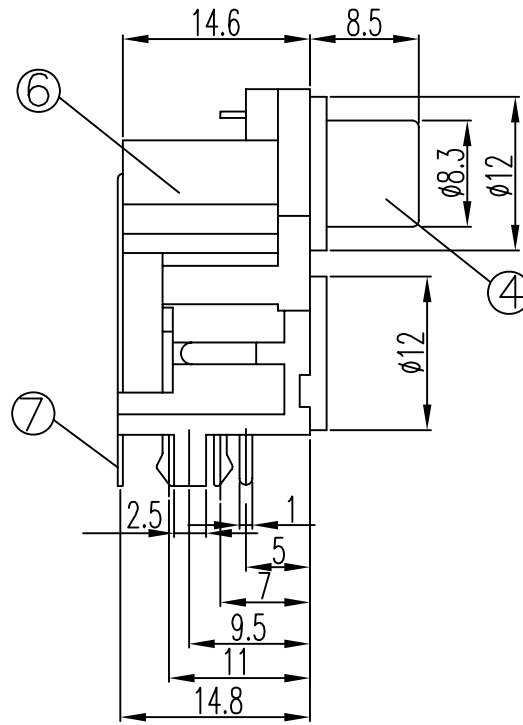


RCMDB1-FREBK-0204-LF
LEADFREE
RoHS Compliant

	S JACK	PIN JACK	
SCHEMATIC			
COLOR	BLACK	WASHER	
		HOUSING	BLACK



8	EARTH FITTING	1	C2680 t=0.3	MB:Cu Cu/Sn PLATED
7	TERMINAL	1	C2680 t=0.4	MB:Cu Cu/Sn PLATED
6	HOUSING	1	ABS	UL-94HB
5	WASHER	1	ABS	UL-94HB
4	OUTER CONTACT	1	C2680 t=0.4	MB:Cu Cu/Sn PLATED
3	GROUND CONTACT	1	C5191 t=0.3	MB:Cu Cu/Sn PLATED
2	EARTH FITTING	1	C2680 t=0.3	MB:Cu Cu/Sn PLATED
1	CENTER CONTACT	4	C2680 t=0.4	MB:Cu Cu/Sn PLATED
LTR	PART NAME	QTY	MATERIAL	REMARK

T:1.6 Dimensions of PC board holes

Tolerance : ±0.1(Printed-top view)

UNLESS OTHERWISE SPECIFIED, TOLERANCE ON DECIMAL: ±0.3

MORETHANALL
CONNECTORS
ASSEMBLIES

PART NO. RCMDB1-FREBK-0204

DWG NO. RCMDB1-FREBK-0204

FILE NO.

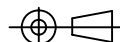
UNIT / mm

SCALE 1:1

CHECKED BY CY

DRAWING BY

PROJECTION



TOLERANCES ARE

.X ± 0.2
.XX ±
.XXX ±
AWG

DESCRIPTION: PIN JACK+S JACK

AREA

REVISIONS

HK

DATE

焯倫股份有限公司