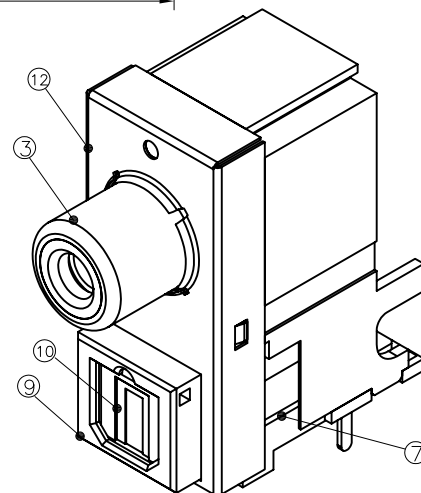
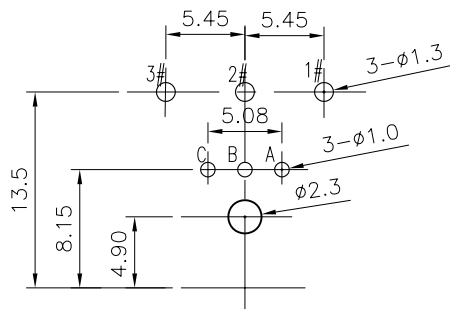


| XX | OPTO GATE COLOR | WASHER COLOR | PLATED |
|----|-----------------|--------------|------------|
| 01 | LIME(577C) | ORANGE(157C) | NI |
| 02 | LIME(577C) | BLACK | MATTED TIN |
| 03 | LIME(577C) | YELLOW | MATTED TIN |
| 04 | BLACK | YELLOW | MATTED TIN |
| 05 | BLACK | ORANGE(157C) | MATTED TIN |
| 06 | LIME(577C) | RED | MATTED TIN |

DETAIL A
SCALE 2:1



| NO. | DESCRIPTION | QUANTITY | MATERIAL | REMARK |
|-----|---------------|----------|-----------------|----------------------|
| 14 | WASHERS | 1 | PBT | UL-94V0 |
| 13 | INSULATOR | 1 | PBT | UL-94V0 |
| 12 | SEALED PLATE | 1 | BRASS | Cu Cu/Sn PLATED |
| 11 | OPTO SPRING | 1 | SUS | |
| 10 | OPTO GATE | 1 | PA66 | UL-94V0 (LIME 577C) |
| 9 | OPTO FRAME | 1 | PA66 | UL-94V0(BLACK) |
| 8 | OPTO-TERMINAL | 3 | PHOSPHOR BRONZE | UL-94V0(BLACK) |
| 7 | OPTO-HOUSING | 1 | LCP | UL-94V0(BLACK) |
| 6 | 3# SPRING | 1 | PHOSPHOR BRONZE | Cu MATTED TIN PLATED |
| 5 | 2# TERMINAL | 1 | BRASS | Cu MATTED TIN PLATED |
| 4 | 1# TERMINAL | 1 | BRASS | Cu MATTED TIN PLATED |
| 3 | OUTER CONTACT | 1 | BRASS | Cu Cu/Sn PLATED |
| 2 | COVER | 1 | PA9T | UL-94V0(BLACK) |
| 1 | HOUSING | 1 | PBT | UL-94V0(BLACK) |

T:1.6 Dimensions of PC board holes
Tolerance : ±0.05(Printed-top view)

RCAPOF-FRP1SE-03R-LF
LEADFREE
RoHS Compliant

| | | | | | |
|----------|----------------------------|-----------|--|-----------------------------|------|
| | PART NO. RCAPOF-FRP1SE-03R | | TOLERANCES ARE .X ± .XX ± .XXX ± AWG | DESCRIP TION: PIN JACK+OPTO | |
| | DWG NO. RCAPOF-FRP1SE-03R | | | CHECKED BY CY | AREA |
| 焜倫股份有限公司 | FILE NO. | | DRAWING BY | HK | DATE |
| | UNIT / mm | SCALE 1:1 | PROJECTION | | |