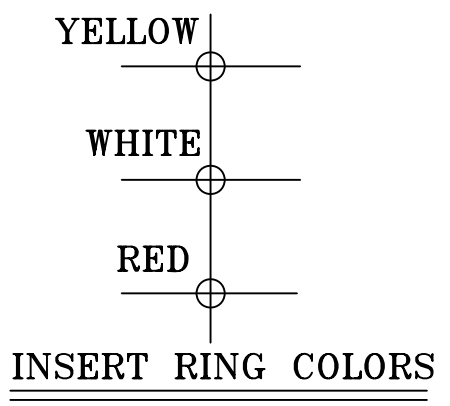
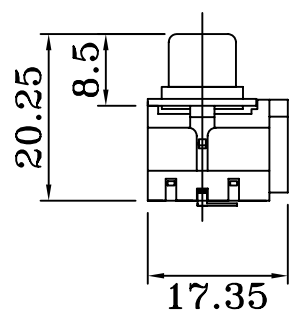


PCB LAYOUT
(BOTTOM VIEW)

RCAC1-JR74EYWR-04-LF
LEADFREE
RoHS Compliant



NO.	NAME	MATERIAL	FINISH	Q'TY
1	BARREL	BRASS	NICKEL-PLATED	2
2	INSERT RING	PBT	Y,W,R	2
3	RETAINER	ABS	BLACK	1
4	HOUSING	ABS	YELLOW	1
5	POSITVE	BRASS STRIP	TIN-PLATED	1
6	POSITVE	BRASS STRIP	TIN-PLATED	1
7	POSITVE	BRASS STRIP	TIN-PLATED	1



PART NO. RCAC1-JR74EYWR-04

DWG NO. RCAC1-JR74EYWR-04

CHECKED BY CY

TOLERANCES ARE

FILE NO.

DRAWING BY

.X ± 0.2
.XX ±
.XXX ±
AWG

DESCRIP TION:

焜倫股份有限公司

UNIT / mm

SCALE 1:1

PROJECTION

AREA

REVISIONS

HK

DATE