

T:1.6 Dimensions of PC board holes  
Tolerance : ±0.1(Printed top view)

UNLESS OTHERWISE SPECIFIED, TOLERANCE ON DECIMAL: ±0.3

RCAC1-JR60E1BWR-05		
SCHEMATIC	COLOR	
A	A	BLUE
B	B	WHITE
C	C	RED

RoHS Compliant

9	SEALED PLATE	1	C2680	t=0.3	MB:Cu	Cu/Sn	PLATED
8	TERMINAL	1	C2680	t=0.4	MB:Cu	Cu/Sn	PLATED
7	TERMINAL	1	C2680	t=0.4	MB:Cu	Cu/Sn	PLATED
6	TERMINAL	1	C2680	t=0.4	MB:Cu	Cu/Sn	PLATED
5	OUTER CONTACT	1	C2680	t=0.4	MB:Cu	Cu/Sn	PLATED
4	OUTER CONTACT	1	C2680	t=0.4	MB:Cu	Cu/Sn	PLATED
3	WASHER	3	ABS		UL-94HB		
2	COVER	1	ABS		UL-94HB(BLACK)		
1	HOUSING	1	ABS		UL-94HB(BLACK)		
LTR	PART NAME	QTY	MATERIAL				REMARK

**MORETHANALL**  
CONNECTORS  
ASSEMBLIES

PART NO. RCAC1-JR60E1BWR-05

DWG NO. RCAC1-JR60E1BWR-05

CHECKED BY CY

TOLERANCES ARE

DESCRIPTION:

FILE NO.

DRAWING BY

.X ± 0.2  
.XX ±  
.XXX ±  
AWG

AREA

REVISIONS

HK

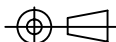
DATE

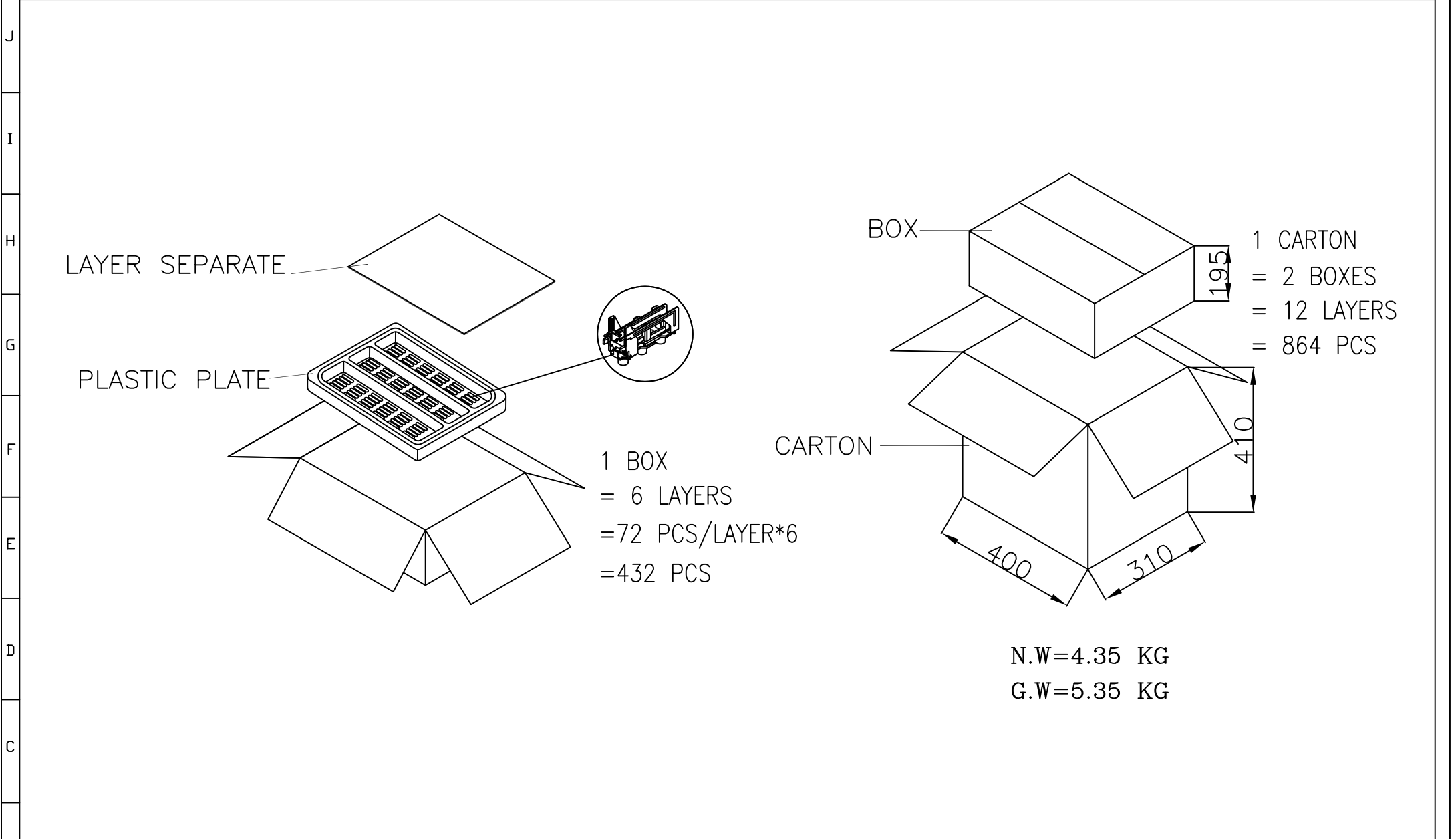
煜倫股份有限公司


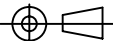
UNIT / mm

SCALE 1:1

PROJECTION





 <p><b>MORETHANALL</b> CONNECTORS ASSEMBLIES</p>	PART NO. RCAC1-JR60E1BWR-05		CHECKED BY CY	TOLERANCES ARE .X ± 0.2 .XX ± .XXX ± AWG	DESCRIP TION:			
	DWG NO. RCAC1-JR60E1BWR-05							
<p><b>煜倫股份有限公司</b></p>	FILE NO.		PROJECTION 	AREA	REVISIONS	HK	DATE	
	UNIT / mm	SCALE 1:1						