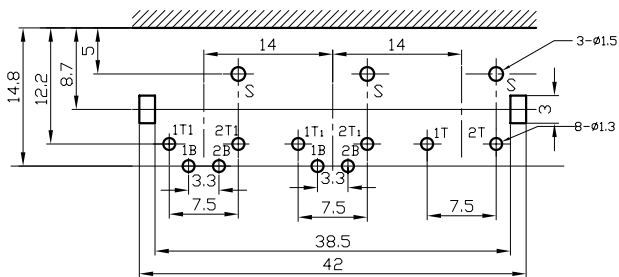
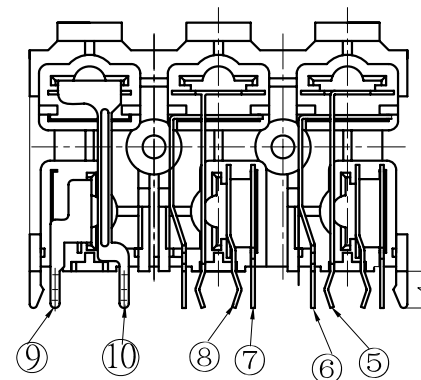
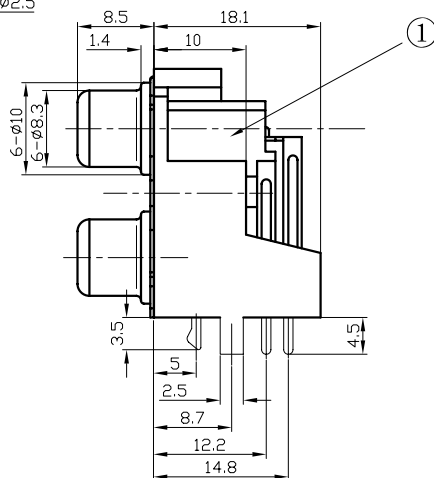
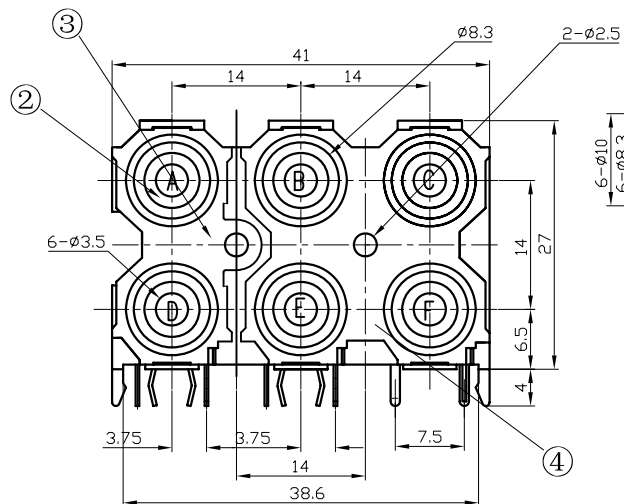


COLOR TYPE		
A	B	C
D	E	F

RCAB3-JR50ESWxx-03-LF
LEADFREE
YR:YELLOW / WHITE / RED
YELLOW / WHITE / RED

RoHS Compliant



T:1.6 Dimensions of PC board holes
Tolerance : ±0.1(Printed-bottom view)

LEAD FREE

LTR	PART NAME	QTY	MATERIAL	REMARK
10	TERMINAL	1	C2680 t=0.4	MB:Cu Cu/Sn PLATED
9	TERMINAL	1	C2680 t=0.4	MB:Cu Cu/Sn PLATED
8	TERMINAL	2	C5191 t=0.4	MB:Cu Ag PLATED
7	SPRING	2	C5191 t=0.4	MB:Cu Ag PLATED
6	SPRING	2	C5191 t=0.4	MB:Cu Ag PLATED
5	TERMINAL	2	C5191 t=0.4	MB:Cu Ag PLATED
4	OUTER CONTACT	1	C2680 t=0.4	MB:Cu Cu/Sn PLATED
3	OUTER CONTACT	1	C2680 t=0.4	MB:Cu Cu/Sn PLATED
2	WASHER	6	ABS	UL-94HB
1	HOUSING	1	ABS	UL-94HB(BLACK)

UNLESS OTHERWISE SPECIFIED, TOLERANCE ON DECIMAL: ±0.3

MORETHANALL
CONNECTORS
ASSEMBLIES

PART NO. RCAB3-JR50ESWxx-03

DWG NO. RCAB3-JR50ESWxx-03

FILE NO.

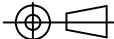
UNIT / mm

SCALE 1:1

CHECKED BY CY

DRAWING BY

PROJECTION



TOLERANCES ARE

.X ± 0.2
.XX ±
.XXX ±
AWG

DESCRIPTION:

AREA

REVISIONS

HK

DATE

焯倫股份有限公司