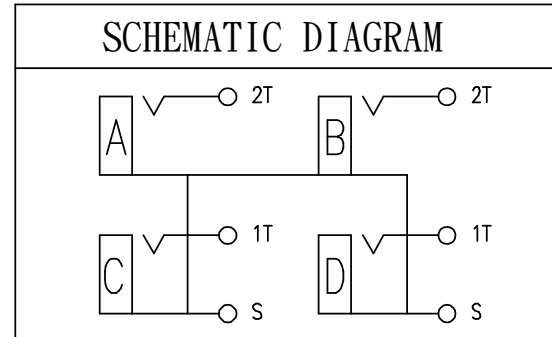


T:1.6 Dimensions of PC board holes  
Tolerance : ±0.05(Printed-bottom view)

WASHER	A	B
	C	D
COLOR	WHITE	WHITE
	RED	RED



LTR	PART NAME	QTY	MATERIAL	REMARK
7	SEALED PLATE	1	C2680 t=0.20	Cu/Sn PLATED
6	TERMINAL	2	C2680 t=0.40	Cu/Sn PLATED
5	TERMINAL	2	C2680 t=0.40	Cu/Sn PLATED
4	OUTER CONTACT	2	C2680 t=0.30	Au PLATED
3	COVER	2	ABS	UL-94HB(BLACK)
2	WASHER	4	PBT 4815	UL-94V0
1	HOUSING	1	PBT 4815	UL-94V0(BLACK)

UNLESS OTHERWISE SPECIFIED, TOLERANCE ON DECIMAL: ±0.3

**RoHS Compliant**

**MORETHANALL**  
PCB CONNECTORS  
Cable ASSEMBLIES

**煜倫股份有限公司**

www.morethanall.com

DRAWING BY CY		TOLERANCES ARE X.± .X± .XX± .XXX± ANG ±
CHECKED BY GENIUS		
UNIT / mm	SCALE 1 : 1	
DATE		
SIZE A4	P PROJECTION	



**ORDER INFORMATION**

RCAB2-JR53E1G1WWRR14-03-LF

SERIES JACK 5.3mm DIP 90°

LEADFREE 03 WAY 14mm

WHITE.TIN+METAL-GOLD

DESCRIPTION: PIN JACK