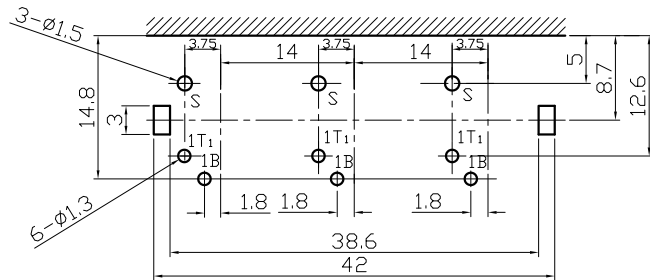
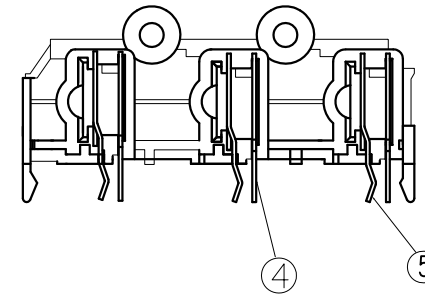
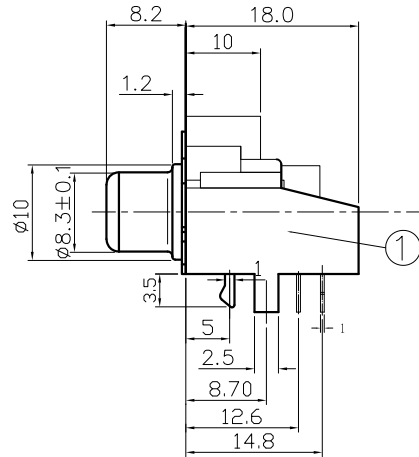
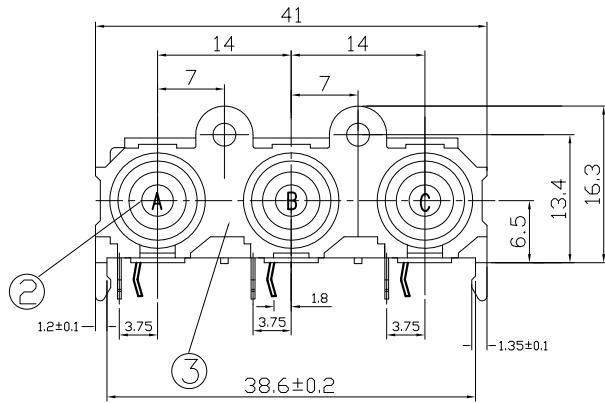
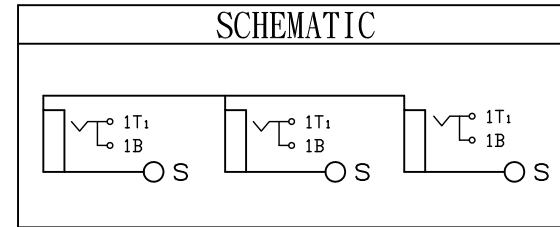


WASHER COLOR		
A	B	C
GREEN	BLUE	RED



T:1.6 Dimensions of PC board holes  
Tolerance : ±0.1(Printed-bottom view)

RoHS Compliant

UNLESS OTHERWISE SPECIFIED, TOLERANCE ON DECIMAL: ±0.3

5	TERMINAL	3	C2680	t=0.4	MB:Cu Ag PLATED
4	SPRING	3	C5191	t=0.4	MB:Cu Ag PLATED
3	OUTER CONTACT	1	C2680	t=0.4	MB:Cu Cu/Sn PLATED
2	WASHER	3	ABS		UL-94HB
1	HOUSING	1	ABS		UL-94HB(BLACK)
LTR	PART NAME	QTY	MATERIAL		REMARK

**MORETHANALL**  
CONNECTORS  
ASSEMBLIES

PART NO. RCAA3-JR50E2GBR-03

DWG NO. RCAA3-JR50E2GBR-03

FILE NO.

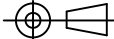
UNIT / mm

SCALE 1:1

CHECKED BY CY

DRAWING BY

PROJECTION



TOLERANCES ARE

.X ±  
.XX ±  
.XXX ±  
AWG

DESCRIPTION:

AREA

REVISIONS

HK

DATE

焜倫股份有限公司