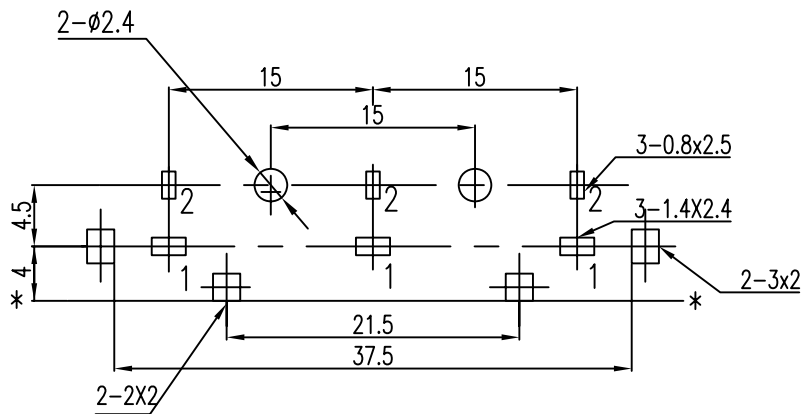
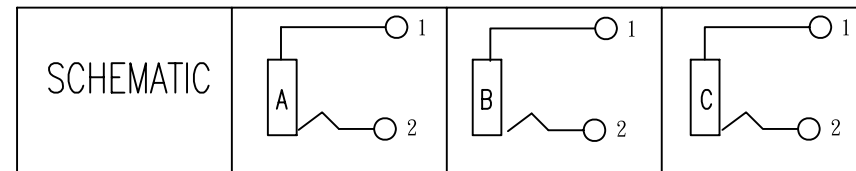


RCAA3-JR44YWR-02		
COLOR		
A	B	C
YELLOW	WHITE	RED



RCAA3-JR44YWR-02-LF  
LEADFREE  
YWR=YELLOW+WHITE+RED  
RoHS Compliant



T:1.6 Dimensions of PC board holes  
Tolerance : ±0.1(Printed-side view)

UNLESS OTHERWISE SPECIFIED, TOLERANCE ON DECIMAL: ±0.3

### LEAD FREE

4	TERMINAL	3	C2680	t=0.4	MB:Cu	Cu/Sn	PLATED
3	OUTER CONTACT	3	C2680	t=0.4	MB:Cu	Ni	PLATED
2	WASHER	3	PBT				
1	HOUSING	1	PBT				
LTR	PART NAME	QTY	MATERIAL				REMARK

**MORE THAN ALL**  
CONNECTORS  
ASSEMBLIES

煜倫股份有限公司

PART NO. RCAA3-JR44YWR-02

DWG NO. RCAA3-JR44YWR-02

FILE NO.

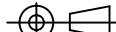
UNIT / mm

SCALE 1:1

CHECKED BY CY

DRAWING BY

PROJECTION



TOLERANCES ARE

.X ± 0.2  
.XX ±  
.XXX ±  
AWG

DESCRIPTION: PIN JACK

AREA

REVISIONS

HK

DATE