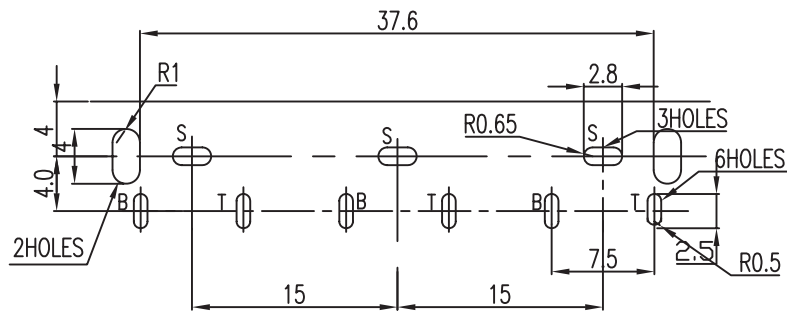


SCHEMATIC		
<b>RCAA3-JR40RGB-03</b>		
COLOR		
A	B	C
RED	GREEN	BLUE



5	SHUNT SPRING	2	C2680	t=0.4	Cu/Sn PLATED
4	TIP SPRING	2	C5191	t=0.3	Cu/Sn PLATED
3	OUTER CONTACT	3	C2680	t=0.4	Cu/Sn PLATED
2	WASHER	3	PBT 4815		UL-94V0
1	HOUSING	1	PBT 4815		UL-94V0(BLACK)
LTR	PART NAME	QTY	MATERIAL		REMARK

T:1.6 Dimensions of PC board holes

Tolerance : ±0.05(Printed-top view)

UNLESS OTHERWISE SPECIFIED, TOLERANCE ON DECIMAL: ±0.3

RCAA3-JR40RGB-03-LF  
LEADFREE

RoHS Compliant

**MORETHANALL**  
CONNECTORS  
ASSEMBLIES

PART NO. RCAA3-JR40RGB-03

DWG NO. RCAA3-JR40RGB-03

FILE NO.

CHECKED BY CY

DRAWING BY

煜倫股份有限公司

UNIT / mm

SCALE 1:1

PROJECTION

TOLERANCES ARE

X. ±  
.X ±  
.XX ±  
.XXX ±  
ANG

DESCRIPTION: PIN JACK

AREA

REVISIONS

DATE