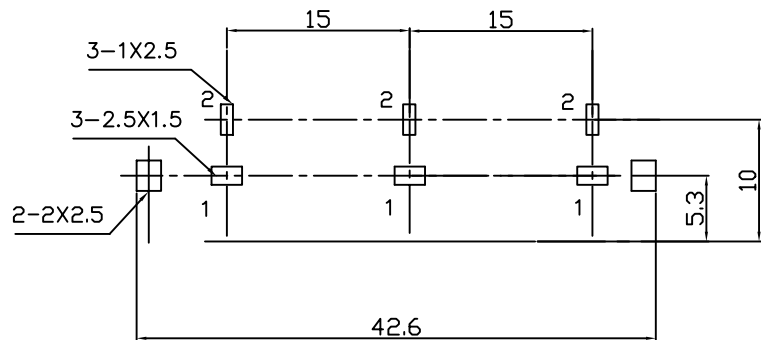
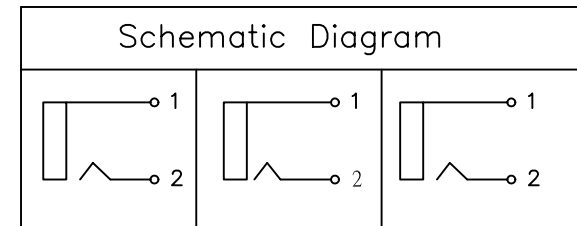
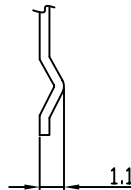


RCAA3-JR05E2-02			
TYPE	A	B	C
COLOR			



Outer Contact



T:1.6 Dimensions of PC board holes  
Tolerance :  $\pm 0.1$  (Printed-top view)

UNLESS OTHERWISE SPECIFIED, TOLERANCE ON DECIMAL:  $\pm 0.3$

4	COVER	1	ABS	
3	TERMINAL	3	QSN6.5-0.1 t=0.5	MB:Cu Cu/Sn PLATED
2	OUTER CONTACT	3	H65 t=0.4	MB:Cu Ni PLATED
1	HOUSING	1	ABS	
LTR	PART NAME	QTY	MATERIAL	REMARK

**MORETHANALL**  
CONNECTORS  
ASSEMBLIES

焯倫有限公司

PART NO. RCAA3-JR05E2-02

DWG NO. RCAA3-JR05E2-02

FILE NO.

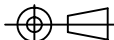
UNIT / mm

SCALE 1:1

CHECKED BY CY

DRAWING BY

PROJECTION



TOLERANCES ARE

.X  $\pm 0.2$   
.XX  $\pm$   
.XXX  $\pm$   
AWG

DESCRIPTION:

PIN JACK

AREA

REVISIONS

HK

DATE