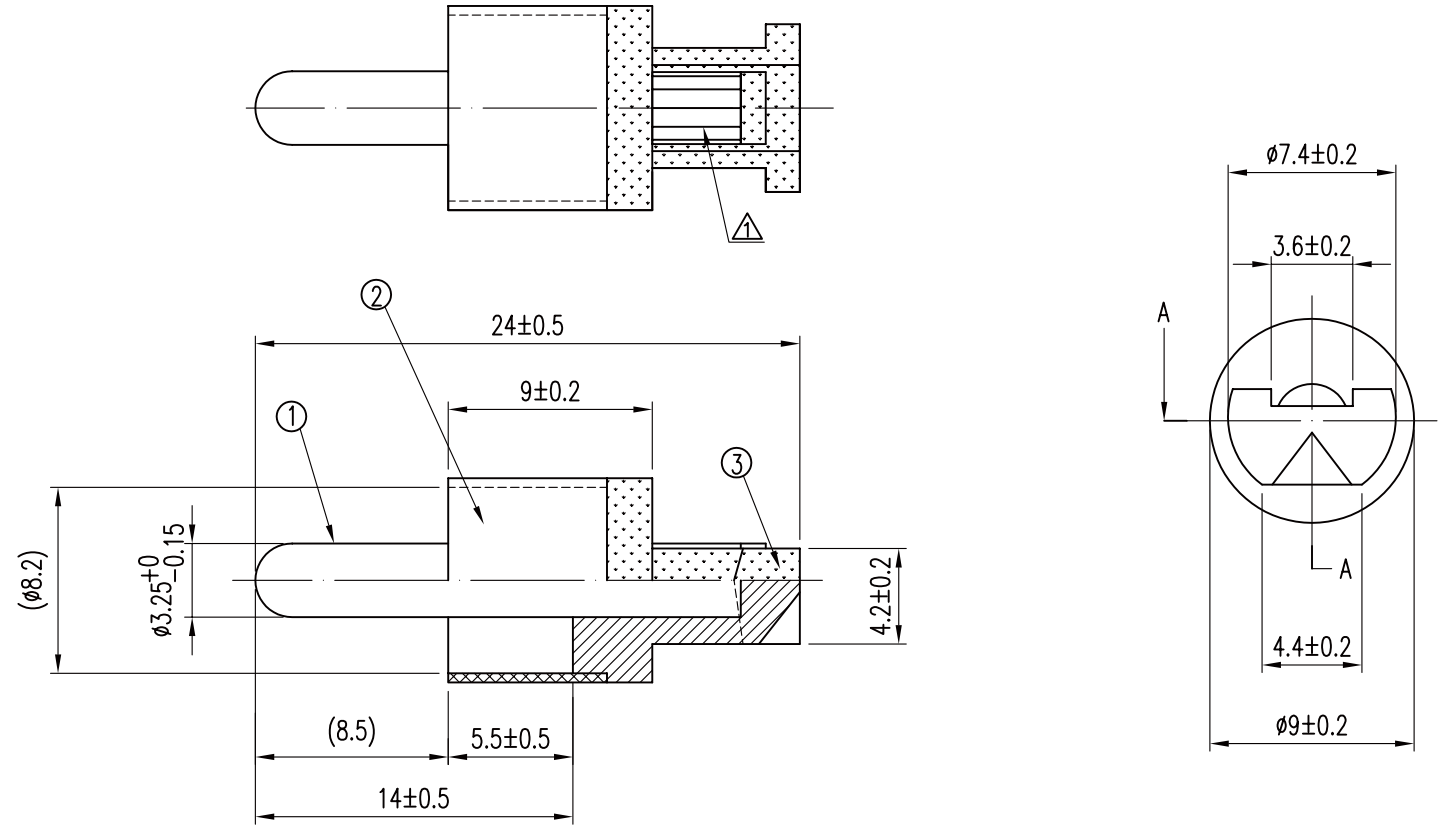


一般公差	
尺寸區分	公差
0>1.0	±0.1
1.0>6.0	±0.2
6.0>12.0	±0.3
12.0>25.0	±0.4
25.0>	±0.5



- NOTES:**
- DIELECTRIC STRENGTH:** AC 500 V at 1 MIN
 - INSURATION RESISTANCE:** DC 500 V / 100 MΩ OR MORE
 - CONTACT RESISTANCE:** 100 mA OR LESS / 30 mΩ OR LESS

3	ABS BLACK
2	BRASS NICKEL
1	BRASS NICKEL
NO	CONTENT

RoHS Compliant

TOLERANCES ARE



煜倫股份有限公司

www.morethanall.com

DRAWING BY CY		X.±
CHECKED BY GENIUS		.X±
UNIT/mm	SCALE 1:1	.XX±
DATE		.XXX±
		ANG±

SIZE A4 PROJECTION



ORDER INFORMATION

RCA-PS-02-LF
 SERIES | LEADFREE
 | 02 WAY
 | SOLDER
 | MALE

DESCRIPTION: **RCA PLUG 24.0L**