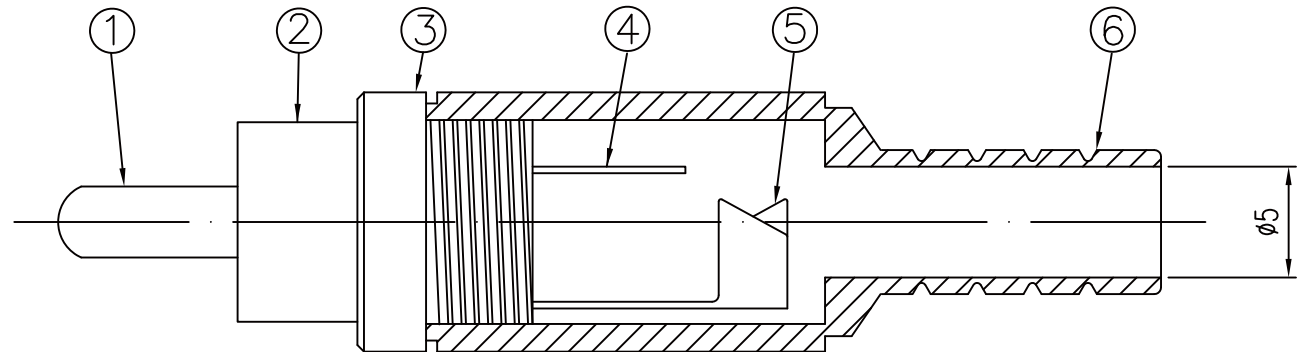


PART NO.	MATERIAL	PLATING
1.	BRASS	NICKEL
2.	BRASS	NICKEL
3.	A.B.S	YELLOW
4.	BRASS	NICKEL
5.	BRASS	NICKEL
6.	P.E	YELLOW



RoHS Compliant

TOLERANCES ARE

**MORETHANALL**  
PCB CONNECTORS  
Cable ASSEMBLIES

DRAWING BY CY

CHECKED BY GENIUS

UNIT / mm SCALE 1 : 1

DATE

SIZE A4

X. ±  
.X ±  
.XX ±  
.XXX ±  
ANG ±

PPOJECTION

照片框

ORDER INFORMATION

RCA-PAYL-02-LF  
SERIES | LEADFREE  
| 02 WAY  
| YELLOW  
ASSEMBLY  
MALE

煜倫股份有限公司

www.morethanall.com

DESCRIPTION: