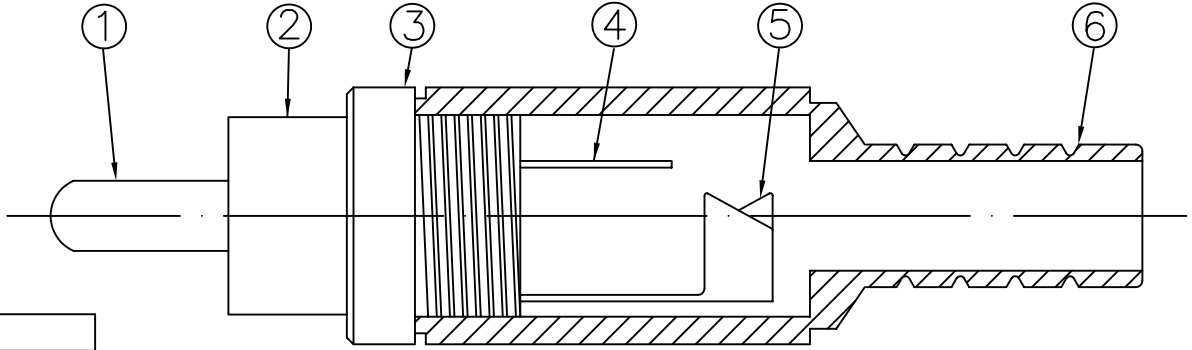
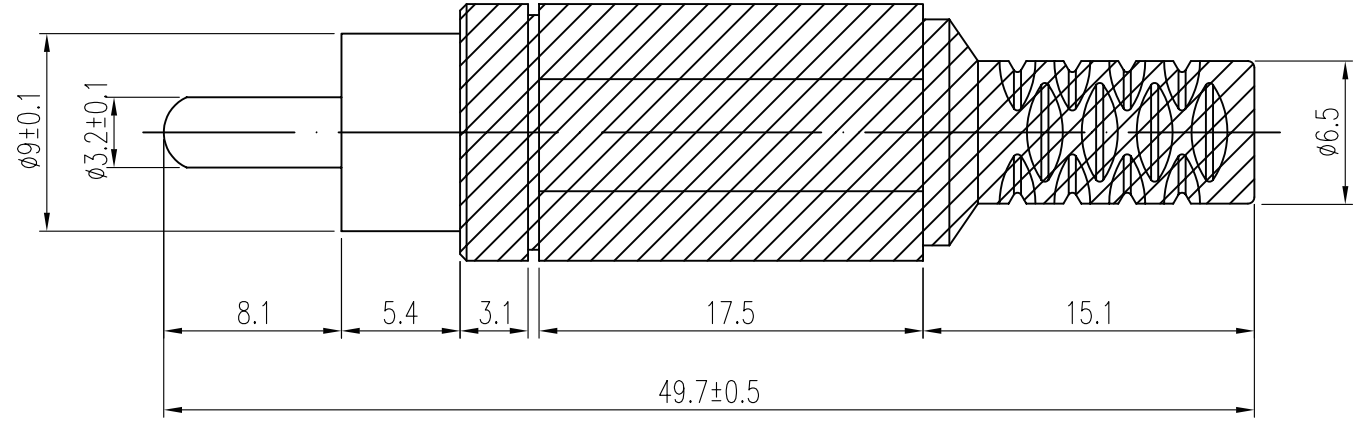
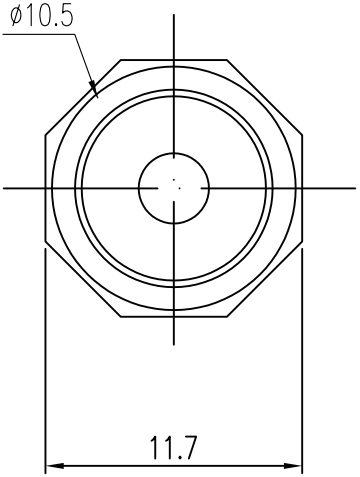


一般公差	
尺寸區分	公差
0>1.0	±0.1
1.0>6.0	±0.2
6.0>12.0	±0.3
12.0>25.0	±0.4
25.0>	±0.5



NO	CONTENT
6	P.E RED
5	BRASS NICKEL
4	BRASS NICKEL
3	A.B.S RED
2	BRASS NICKEL
1	BRASS NICKEL

RoHS Compliant

TOLERANCES ARE



DRAWING BY CY
 CHECKED BY GENIUS
 UNIT / mm SCALE 1:1
 DATE

X.±
 .X±
 .XX±
 .XXX±
 ANG ±

照片框

ORDER INFORMATION

RCA-PARD-02-LF
 SERIES | RED ASSEMBLY MALE | 02 WAY | LEADFREE

煜倫股份有限公司

www.morethanall.com

SIZE A4 PPROJECTION

DESCRIPTION: RCA PLUG