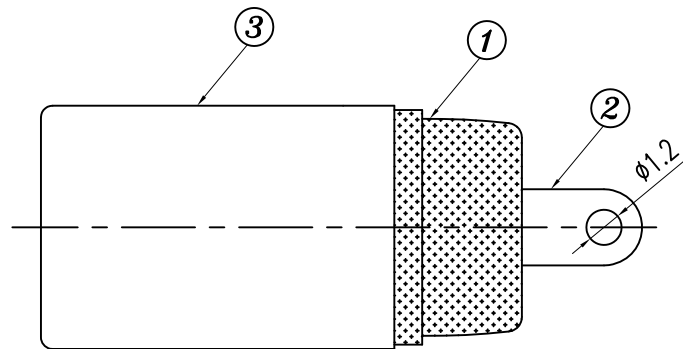
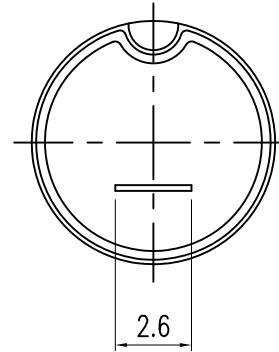
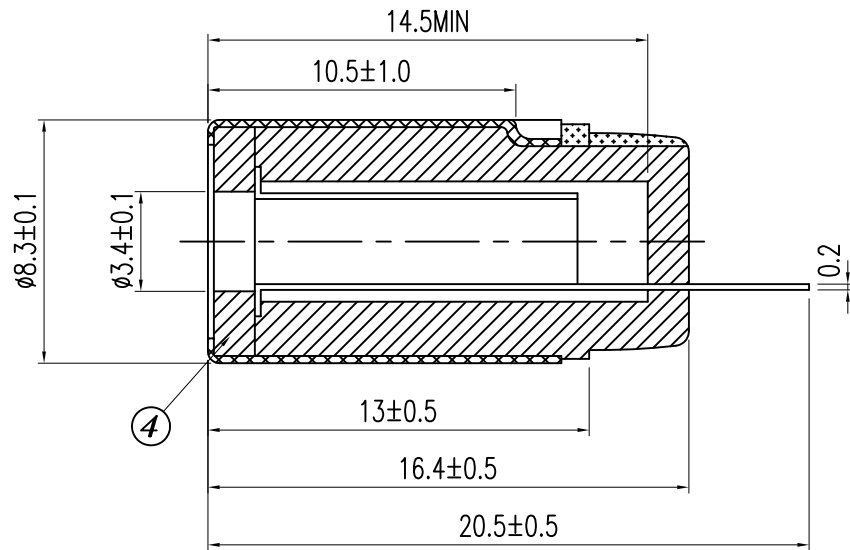


一般公差	
尺寸區分	公差
0>1.0	±0.1
1.0>6.0	±0.2
6.0>12.0	±0.3
12.0>25.0	±0.4
25.0>	±0.5



4	環保電木 BROWN
3	BRASS NICKEL
2	P-BRONZE NICKEL
1	ABS WHITE
NO	CONTENT

RoHS Compliant

TOLERANCES ARE

MORETHANALL
PCB CONNECTORS
Cable ASSEMBLIES

DRAWING BY CY

X.±

CHECKED BY GENIUS

.X±

UNIT / mm

SCALE 1 : 1

.XX±

DATE

.XXX±

ANG ±

SIZE A4

PJECTION

照片框

ORDER INFORMATION

RCA-JS20WH-02-LF
SERIES | | | | LEADFREE
| | | | 02 WAY
| | | | WHITE
| | | | LONG 20.5mm
| | | | SOLDER
| | | | JACK

煜倫股份有限公司

www.morethanall.com

DESCRIPTION: RCA JACK