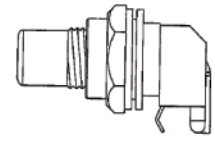
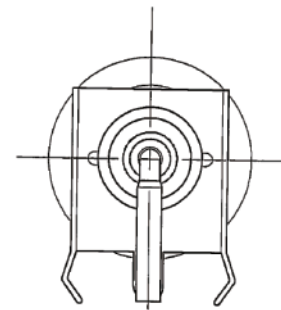
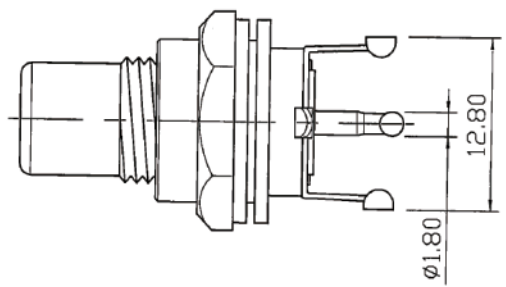
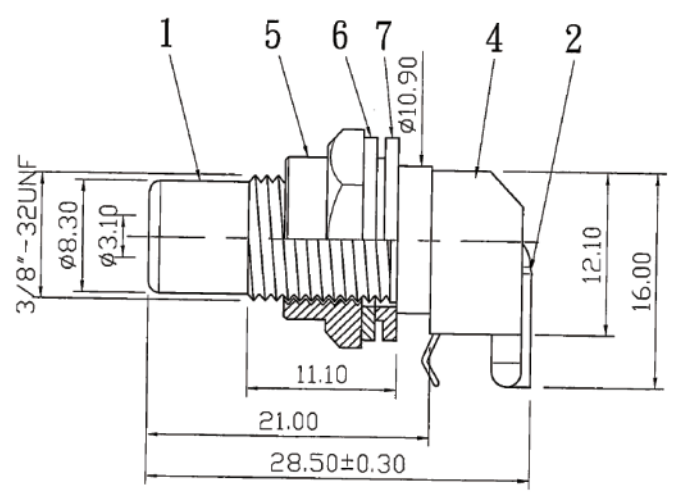


P.C.B. LAYOUT
(印刷电路板配置)



S 1 : 1

NO.	Description	Unit	Materials	Finish
7	washer	1	plastic	black/red/white
6	washer	1	plastic	black/red/white
5	nut	1	brass	gold
4	body	1	bronze	gold
3	insulator	1	PTFE	white
2	contact pin	1	brass	gold
1	body	1	brass	gold

RCA-JRPBGDNWxx-02-LF
 BK:BLACK LEADFREE
 WH:WHITE
 RD:RED

RoHS Compliant


 MORETHANALL
 CONNECTORS
 ASSEMBLIES

PART NO. RCA-JRPBGDNWxx-02

DWG NO. RCA-JRPBGDNWxx-02

CHECKED BY CY

TOLERANCES ARE

- X. ±
- .X ±
- .XX ±
- .XXX ±
- ANG

DESCRIPTION:

焯倫股份有限公司

FILE NO.

DRAWING BY

UNIT / mm

SCALE 1:1

PROJECTION 

AREA

REVISIONS

DATE