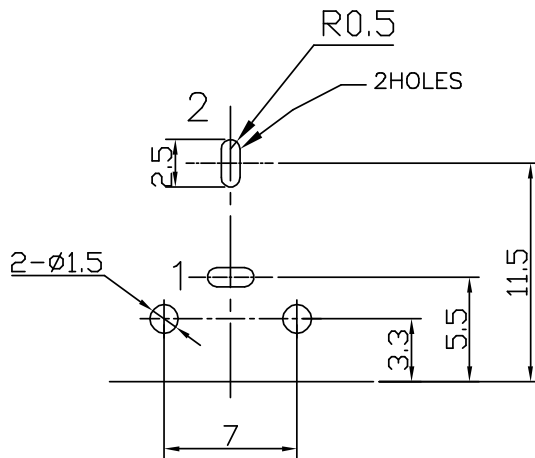


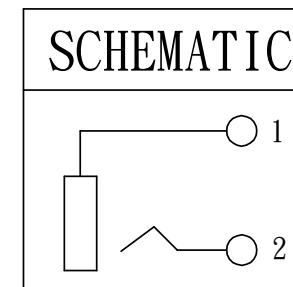
MODEL NO.	COLOR OF HOUSING
RCA-JR56P2BK-02	BLACK
RCA-JR56P2YL-02	YELLOW
RCA-JR56P2RD-02	RED
RCA-JR56P2WH-02	WHITE



T:1.6 Dimensions of PC board holes

Tolerance : ±0.05(Printed-top view)

UNLESS OTHERWISE SPECIFIED, TOLERANCE ON DECIMAL: ±0.3



3	TERMINAL	1	C2680	t=0.35	MB:Ni Cu/Sn PLATED
2	OUTER CONTACT	1	C2680	t=0.3	MB:Ni Cu/Sn PLATED
1	HOUSING	1	PBT		
LTR	PART NAME	QTY	MATERIAL		REMARK

RoHS Compliant

TOLERANCES ARE

**MORETHANALL**  
PCB CONNECTORS  
Cable ASSEMBLIES

煜倫股份有限公司

www.morethanall.com

DRAWING BY CY

CHECKED BY GENIUS

UNIT / mm SCALE 1:1

DATE

SIZE A4

X.±  
.X±  
.XX±  
.XXX±  
ANG±

PJECTION

照片框

ORDER INFORMATION

RCA-JR56P2cc-02-LF  
SERIES | | | | LEADFREE  
JACK | | | | 02 WAY  
DIP 90° | | | | BK:BLACK  
5.5+6.0mm | | | | WH:WHITE  
POST x 2

DESCRIPTION: PIN JACK