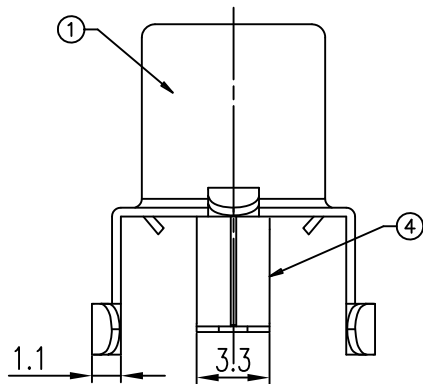


T:1.6 Dimensions of PC board holes  
Tolerance : ±0.1(Printed-bottom view)



COLOR	PART NO.
BLACK	RCA-JR50G1BK-02
SCHEMATIC	

RCA-JR50G1BK-02-LF  
LEADFREE

RoHS Compliant

4	CONTACT	1	C2680	t=0.3	MB:Cu	Cu/Sn	PLATED
3	INSULATOR	1	PBT 4815		UL-94V0(BLACK)		
2	WASHER	1	PBT 4815		UL-94V0		
1	SHIELD	1	C2680	t=0.4	MB:Cu	Au	PLATED
LTR	PART NAME	QTY	MATERIAL		REMARK		

UNLESS OTHERWISE SPECIFIED, TOLERANCE ON DECIMAL: ±0.3

**MORETHANALL**  
CONNECTORS  
ASSEMBLIES

PART NO. RCA-JR50G1BK-02

DWG NO. RCA-JR50G1BK-02

FILE NO.

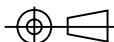
UNIT / mm

SCALE 1:1

CHECKED BY CY

DRAWING BY

PROJECTION



TOLERANCES ARE

.X ± 0.2  
.XX ±  
.XXX ±  
AWG

DESCRIPTION:

AREA

REVISIONS

HK

DATE

煜倫股份有限公司