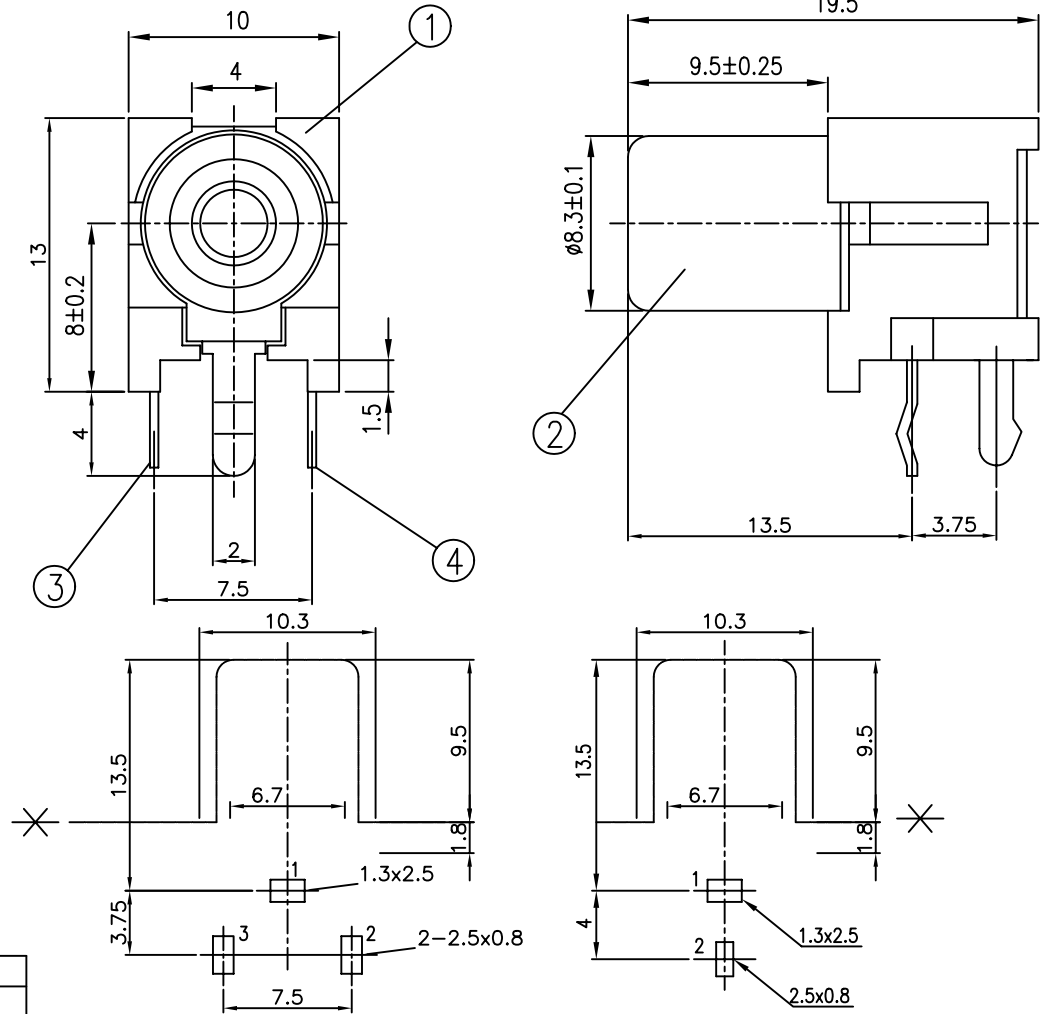
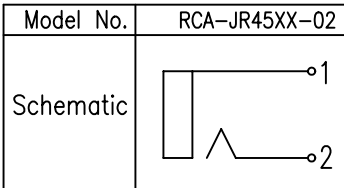
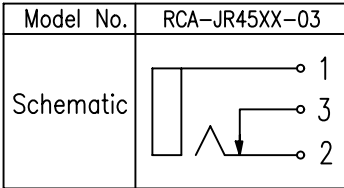


MODEL NO.	COLOR OF HOUSING
RCA-JR45BK-XX	BLACK
RCA-JR45YL-XX	YELLOW
RCA-JR45RD-XX	RED
RCA-JR45WH-XX	WHITE



RCA-JR45-03

RCA-JR45-02

T:1.6 Dimensions of PC board holes
Tolerance : ±0.1(Printed-bottom view)

UNLESS OTHERWISE SPECIFIED, TOLERANCE ON DECIMAL:±0.3

4	TIP SPRING	1	C5210 t=0.3	MB:Cu Ag PLATED
3	RING SPRING	1	C5210 t=0.3	MB:Cu Ag PLATED
2	OUTER CONTACT	1	C2680 t=0.4	MB:Cu Ni PLATED
1	HOUSING	1	ABS	
LTR	PART NAME	QTY	MATERIAL	REMARK

MORETHANALL
CONNECTORS
ASSEMBLIES

PART NO. RCA-JR45xx-xx

DWG NO. RCA-JR45xx-xx

FILE NO.

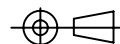
UNIT / mm

SCALE 1:1

CHECKED BY CY

DRAWING BY

PROJECTION



TOLERANCES ARE

.X ±
.XX ±
.XXX ±
AWG

DESCRIPTION: PIN JACK

AREA

REVISIONS

HK

DATE

煜倫有限公司