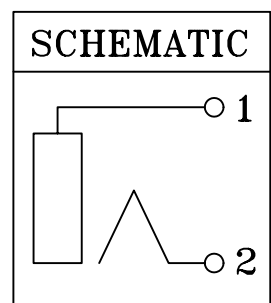
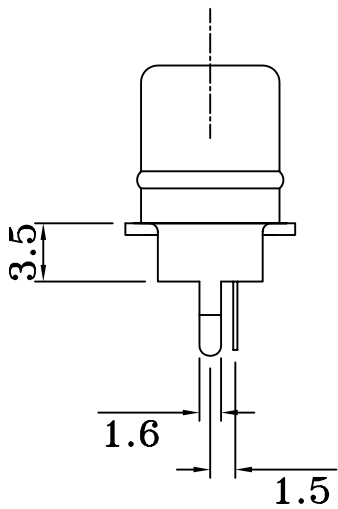


PCB LAYOUT  
(BOTTOM VIEW)



NO.	NAME	MATERIAL	FINISH
1	BARREL	C.R.S.	NICKEL PLATED
2	BRACKET	C.R.S.	NICKEL PLATED
3	CENTER PIN	BRASS	TIN PLATED
4	INSERT RING	P.B.T	W,R,Y,B,BL,GR
5	INSULATOR	P.B.T.	WHITE

RCA-JD13WH-02

COLOR WH:WHITE



煜倫有限公司

PART NO.	RCA-JD13WH-02	CHECKED BY	CY	TOLERANCES ARE .X ± 0.2 .XX ± .XXX ± AWG	DESCRIPTION: <b>RCA JACK</b>	AREA	REVISIONS	HK	DATE
DWG NO.	RCA-JD13WH-02	DRAWING BY							
FILE NO.		PROJECTION							
UNIT / mm	SCALE 1:1								