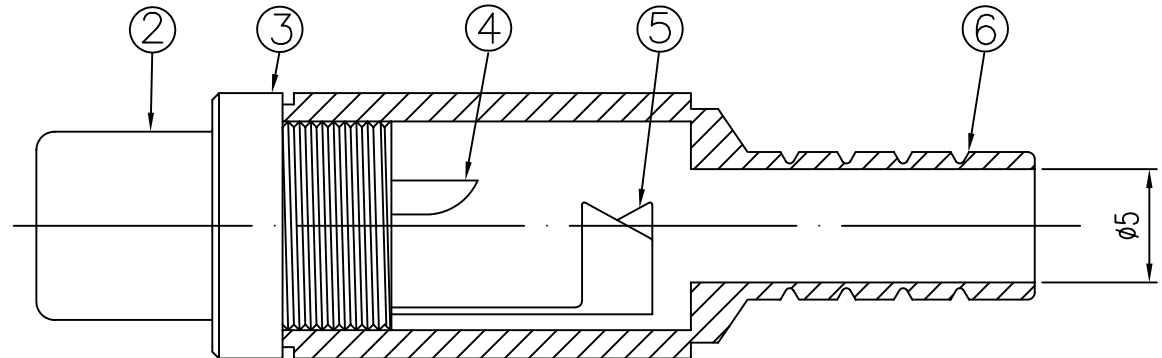


| PART NO. | MATERIAL | PLATING |
|----------|--------------|---------|
| 1. | BAKELIT | |
| 2. | BRASS | NICKEL |
| 3. | A.B.S YELLOW | |
| 4. | BRASS | NICKEL |
| 5. | BRASS | NICKEL |
| 6. | PE BLACK | |



RoHS Compliant

TOLERANCES ARE

MORETHANALL
PCB CONNECTORS
Cable ASSEMBLIES

煜倫股份有限公司

www.morethanall.com

DRAWING BY CY

CHECKED BY GENIUS

UNIT / mm SCALE 1 : 1

DATE

SIZE A4

X. ±
.X ±
.XX ±
.XXX ±
ANG ±

PJECTION

照片框

ORDER INFORMATION

RCA-JAYL-02-LF
SERIES | | LEADFREE
| | 02 WAY
| | YELLOW
| | ASSEMBLY
| | JACK

DESCRIPTION: