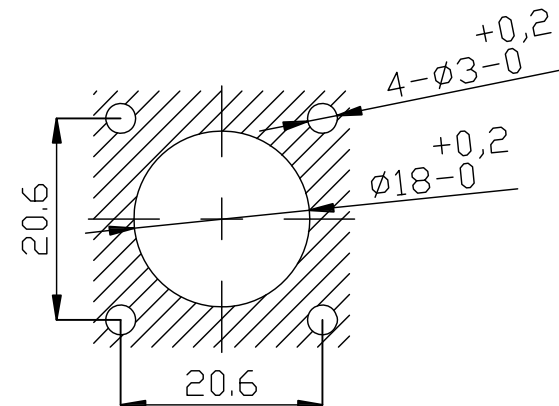
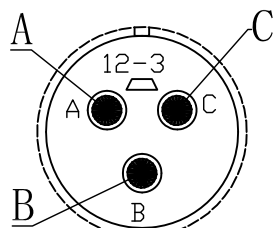


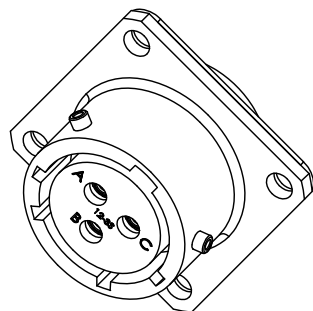
Cross-Section View



Recommended hole dimension



VIEW A



6	Rivet	pc	3
5	Female Contact Pin	pc	3
4	Insulator for 3 Core	pc	1
3	Gasket for Flange Type	pc	1
2	Embedded Sealing Ring	pc	1
1	4-Holes D Series Square Flange Housing	pc	1
No.	Specification	Unit	Q'ty

Technical Specifications:		Material:	
Coupling:	Bayonet	Shell Material:	Aluminum Alloy, Olive drab
Termination:	Solder	Contact Material:	Copper, Gold Plated
Coding:	A	Insert Material:	Rubber, Black
Pollution Degree:	3	Sealing:	Silicon, Black
Temperature Range:	-55° C ~ +125° C		
Protection Degree:	IP67		
Mating Cycles:	≥500		
Rated Voltage:	1200V		
Rated Current:	13A		
Contact Resistance	≤5 mΩ		
Insulation Resistance	≥5000 MΩ		

RoHS Compliant

TOLERANCES ARE

**MORETHANALL**  
PCB CONNECTORS  
Cable ASSEMBLIES

煜倫股份有限公司

www.morethanall.com

DRAWING BY CY

CHECKED BY GENIUS

UNIT/mm SCALE 1:1

DATE

SIZE A4

X. ± 0.50  
.X ± 0.38  
.XX ± 0.25  
.XXX ± 0.10  
ANG ± 3°

PJECTION

照片框

ORDER INFORMATION

QLM15-SSPQ-03-LF

SERIES | | | | LEADFREE  
03 WAY  
SQUARE  
PANEL  
SOLDER  
FEMALE

DESCRIPTION: MS Series Waterproof 4-Holes D Series Square Flange Type Female Pin Connector 3 Core