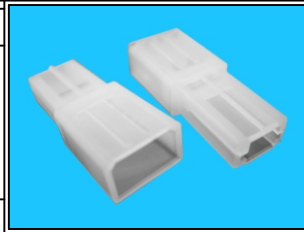
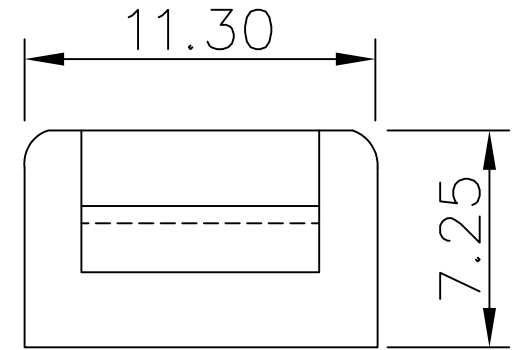
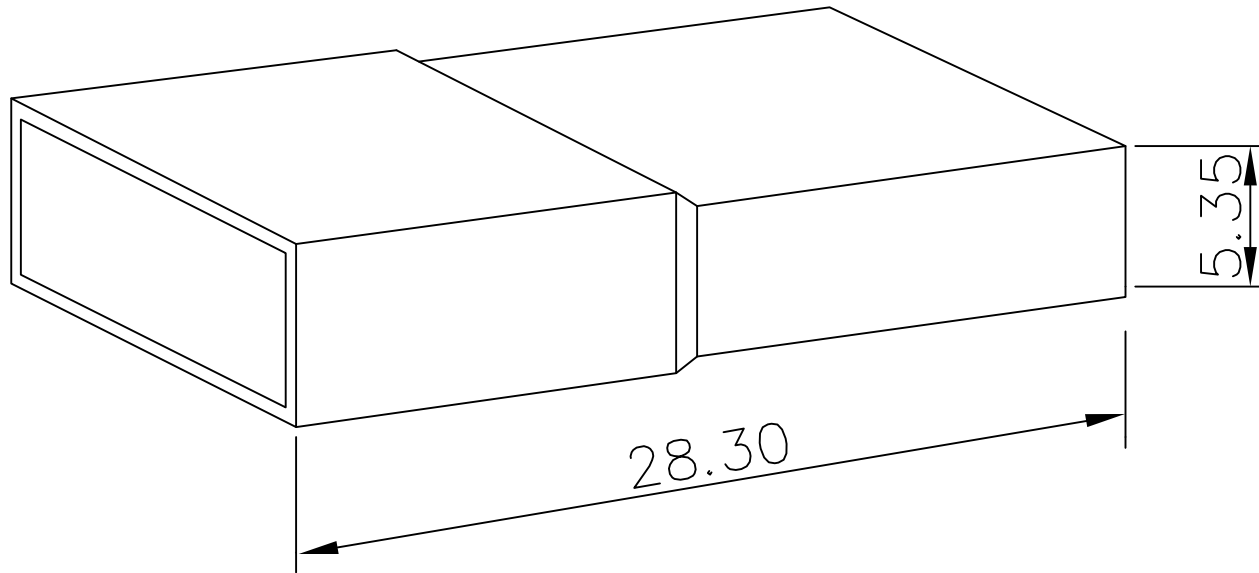


MATERIAL: NYLON-66 UL94V-2  
 PACKING: BAG/1000PCS



RoHS Compliant

TOLERANCES ARE

**MORETHANALL**  
 PCB CONNECTORS  
 Cable ASSEMBLIES

煜倫股份有限公司

www.morethanall.com

DRAWING BY CY

CHECKED BY GENIUS

UNIT / mm

SCALE 1 : 1

DATE

SIZE A4

X, ±

.X ±

.XX ±

.XXX ±

ANG ±

PPOJECTION

ORDER INFORMATION

Q250-MN-01-LF  
 SERIES | LEADFREE  
 | 01 WAY  
 MALE NYLON HOUSING

DESCRIPTION: