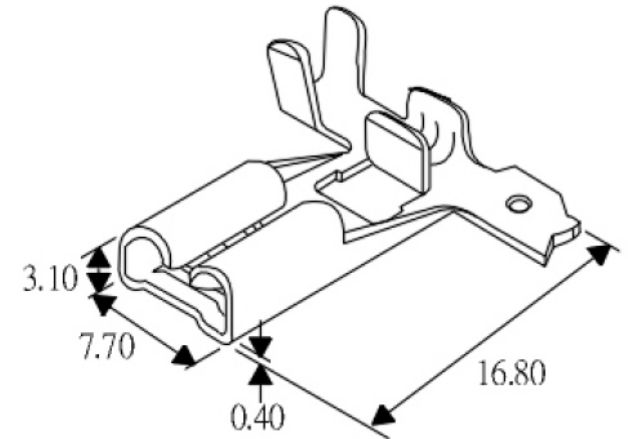
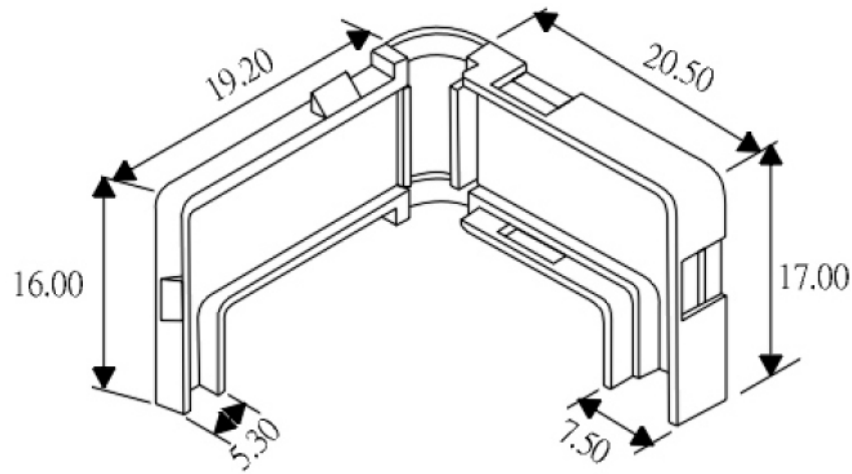
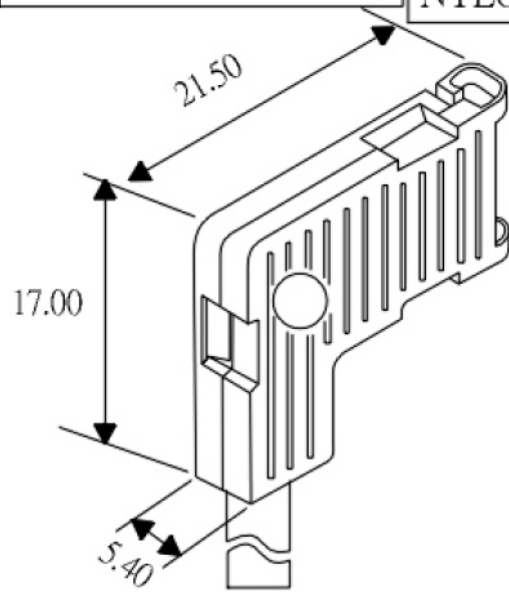


Q250 旗型 Flag Type	MATERIAL 材 質	APPLICABLE TERMINAL 適用端子	PACKING 包裝量
	NYLON-66 UL94V-2	Q250	BAG/1000PCS

Tolerance(公差): ±0.3 m/m



RoHS Compliant

TOLERANCES ARE

MORETHANALL
 PCB CONNECTORS
 Cable ASSEMBLIES

DRAWING BY CY

CHECKED BY GENIUS

UNIT / mm

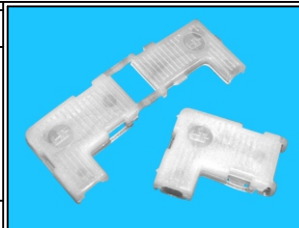
SCALE 1 : 1

DATE

SIZE A4

PPOJECTION

X: ±
 .X ±
 .XX ±
 .XXX ±
 ANG ±



ORDER INFORMATION

Q250-GN-01-LF
 SERIES | LEADFREE
 | 01 WAY
 | NYLON 66
 | FLAG

煜倫股份有限公司

www.morethanall.com

DESCRIPTION: