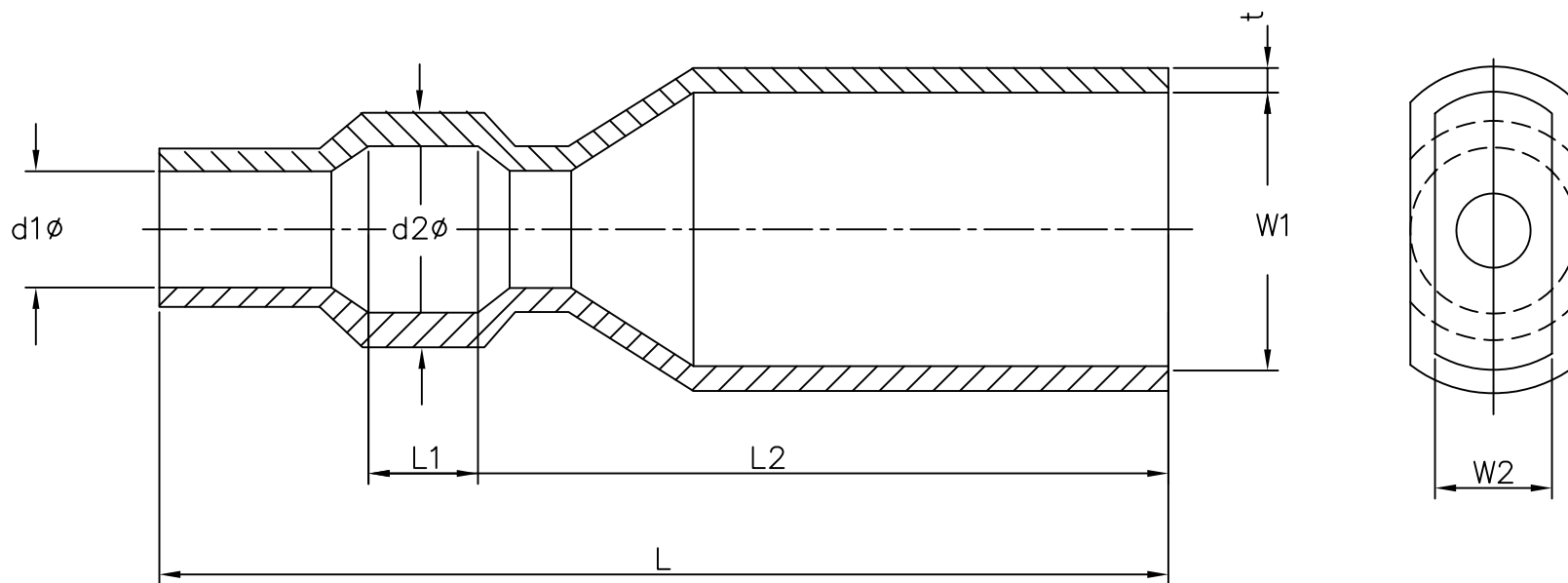


Packing unit: 1,000pcs per bag

item No.	d1 ϕ	d2 ϕ	L1	L2 \pm 0.5	L \pm 1.5	W1	W2	t \pm 0.2
Q250-FV-25	2.5	3.7	3.0	17.0	26.0	7.8	3.6	1.0
Q250-FV-28	2.8	4.0	3.0	17.0	26.0	7.8	3.6	1.0
Q250-FV-30	3.0	4.1	3.2	17.0	26.0	7.8	3.6	1.0
Q250-FV-35	3.5	4.5	3.2	17.0	27.0	7.8	3.5	1.0
Q250-FV-38	3.8	5.0	3.0	17.0	26.0	7.9	3.5	1.0
Q250-FV-41	4.1	5.1	3.2	17.0	27.0	8.0	3.6	1.0
Q250-FV-45	4.5	5.6	3.0	17.0	27.0	8.0	3.6	1.0
Q250-FV-50	5.0	6.1	3.2	17.0	27.0	7.8	3.6	1.0
*Q250-FV-38A	3.8	4.8	3.3	23.5	35.3	9.0	3.7	1.0

*為(特殊母套Special Size)



RoHS Compliant

TOLERANCES ARE

MORETHANALL
PCB CONNECTORS
Cable ASSEMBLIES

DRAWING BY CY

CHECKED BY GENIUS

UNIT / mm

SCALE 1 : 1

DATE

SIZE A4

X, \pm

.X, \pm

.XX, \pm

.XXX, \pm

ANG, \pm

PPOJECTION



ORDER INFORMATION

Q250-FV-xx-LF
SERIES | T LEADFREE
25-50 d1 ϕ
PVC
FEMALE

煜倫股份有限公司

www.morethanall.com

DESCRIPTION: