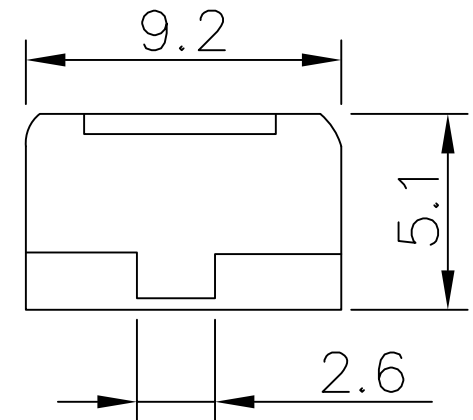
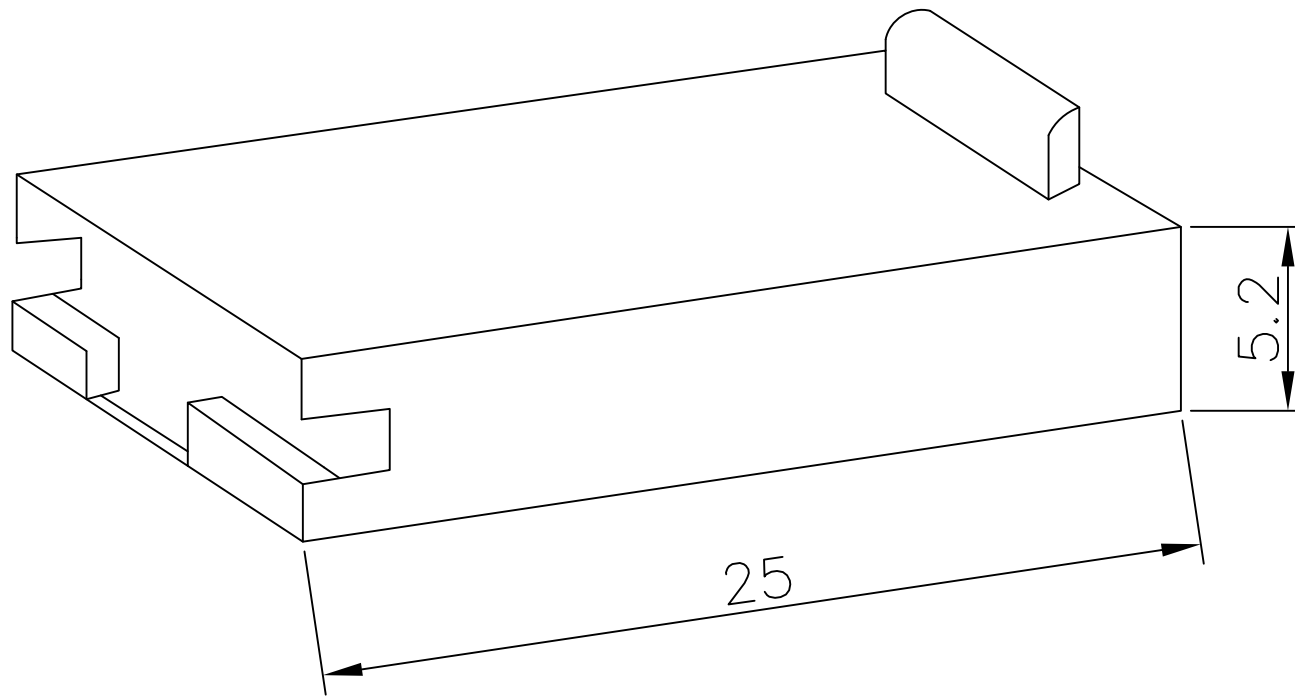


MATERIAL: NYLON-66 UL94V-2
 PACKING: BAG/1000PCS



MORETHANALL
 PCB CONNECTORS
 Cable ASSEMBLIES
 煜倫股份有限公司

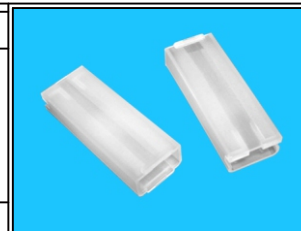
www.morethanall.com

RoHS Compliant

DRAWING BY CY
 CHECKED BY GENIUS
 UNIT / mm SCALE 1:1
 DATE
 SIZE A4

TOLERANCES ARE

X. ±
 .X ±
 .XX ±
 .XXX ±
 ANG ±



ORDER INFORMATION

Q250-FN-01-LF
 SERIES | LEADFREE
 01 WAY
 FEMALE NYLON HOUSING

DESCRIPTION: