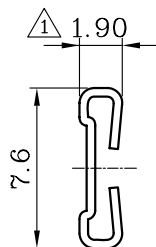
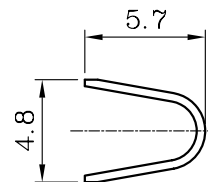
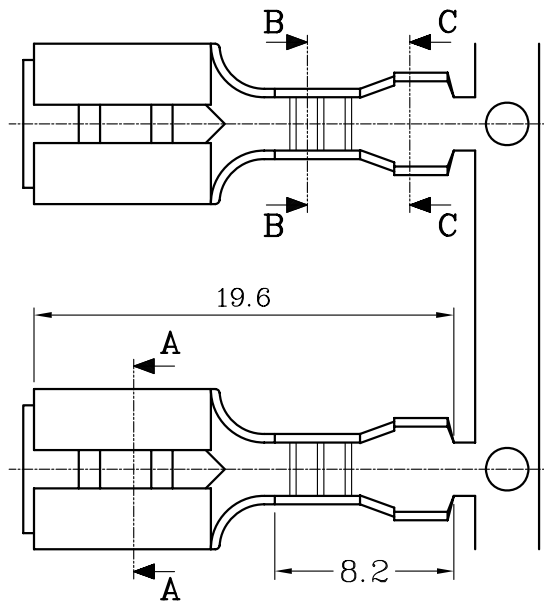


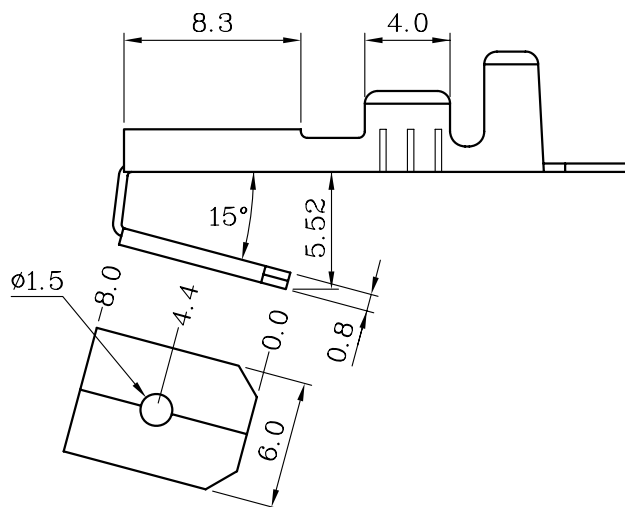
SEC. B-B



SEC. A-A



SEC. C-C



NOTE:

1. 表面處理
預鍍錫 60u以上

1. SURFACE TREATMENT:
PRE-TIN
THICKNESS MORE THAN 60u

包裝數量 2000 適用電線 20~14
PACKING Q'TY PCS/R WIRE RANGE

料厚 0.4
THICKNESS
TAB: 0.8t

RoHS Compliant

TOLERANCES ARE

MORETHANALL
PCB CONNECTORS
Cable ASSEMBLIES

DRAWING BY CY

CHECKED BY GENIUS

UNIT / mm

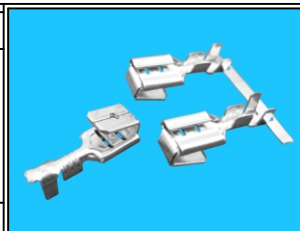
SCALE 1:1

DATE

SIZE A4

X ±
.X ± 0.30
.XX ± 0.20
.XXX ±
ANG ±

P PROJECTION



ORDER INFORMATION

Q250-ET8-14-LF
SERIES T LEADFREE
14-16 AWG
0.8t
TERMINAL
PIGGYBACK

煜倫股份有限公司

www.morethanall.com

DESCRIPTION: 250-8公母