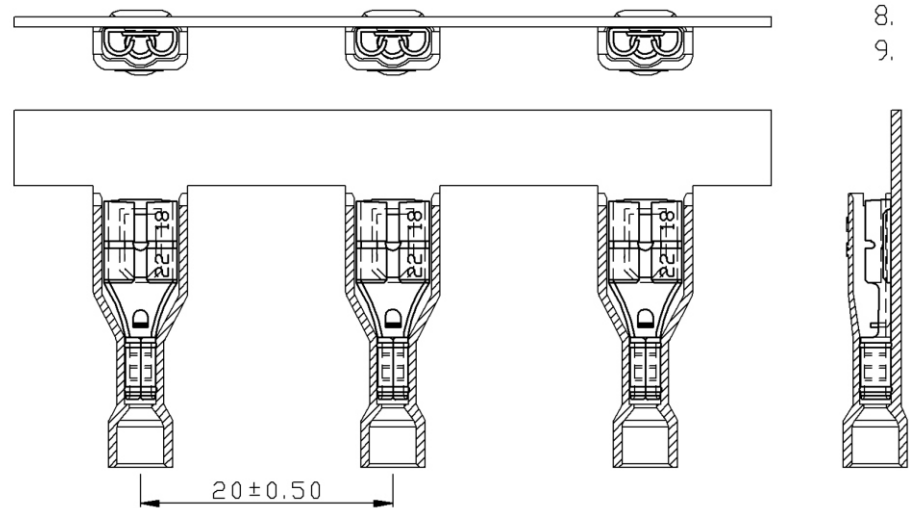


NOTE :

1. MAXIMUM ELECTRIC CURRENT :

A.W.G.	22	20	18
AMP.	3	4	7
2. MAXIMUM ELECTRICAL RATING : 105°C 600 VOLTS MAX.
3. INSULATION MATERIAL : NYLON
4. INSULATION COLOR : RED
5. TERMINAL MATERIAL : BRASS
6. WIRE RANGE : 22-18 A.W.G. (0.5-0.75 mm²)
7. NEMA TAB : 0.020 inch * 0.187 inch (0.5 mm * 4.75 mm)
8. TERMINAL SURFACE TREATMENT : TIN PLATED
9. TERMINAL THICKNESS : 0.35 mm




RoHS Compliant

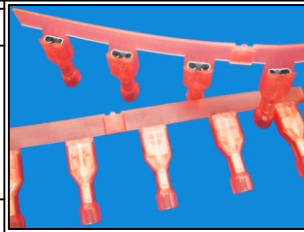


Morethanall
PCB CONNECTORS
Cable ASSEMBLIES

煜倫股份有限公司

www.morethanall.com

DRAWING BY CY		TOLERANCES ARE X, ± .X, ± .XX, ± .XXX, ± ANG, ±
CHECKED BY GENIUS		
UNIT / mm	SCALE 1 : 1	
DATE		
SIZE A4	PPOJECTION	



ORDER INFORMATION

Q187-FT5NFDR-18-LF

SERIES	FEMALE	TERMINAL	THICKNESS 0.5mm	REEL	D TYPE	FULL	NYLON	LEADFREE	18~22 AWG
--------	--------	----------	-----------------	------	--------	------	-------	----------	-----------

DESCRIPTION: