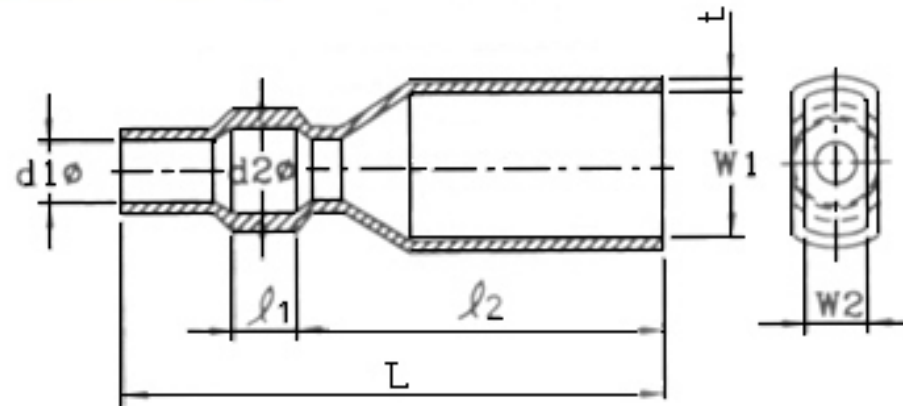


110 flat type sleeves



Item No.	$d_1\phi$	$d_2\phi$	l_1	$l_2\pm 0.5$	$L\pm 1.5$	W_1	W_2	$t\pm 0.2$
Q110-FV-20	2.0	3.0	2.4	14.6	22.0	4.0	2.1	1.0
Q110-FV-25	2.5	3.3	2.4	14.6	22.0	4.0	2.1	1.0
Q110-FV-28	2.8	3.7	2.5	14.5	22.0	4.0	2.1	1.0
Q110-FV-30	3.0	3.7	2.5	14.5	22.0	4.0	2.1	1.0
Q110-FV-35	3.5	4.0	2.5	14.5	22.0	4.0	2.1	1.0

Packing unit: 2,000 pcs per bag



MORETHANALL
PCB CONNECTORS
Cable ASSEMBLIES

煜倫股份有限公司

www.morethanall.com

RoHS Compliant

DRAWING BY CY
CHECKED BY GENIUS
UNIT / mm SCALE 1 : 1
DATE
SIZE A4

TOLERANCES ARE

X, ±
.X ±
.XX ±
.XXX ±
ANG ±

PPOJECTION



ORDER INFORMATION

Q110-FV-xx-LF
SERIES | LEADFREE
20:2.0Ø
35:3.5Ø
PVC
FEMALE

DESCRIPTION: