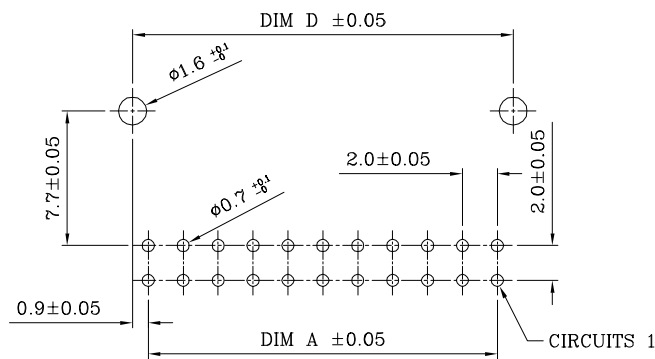
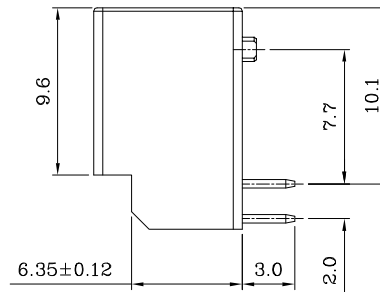
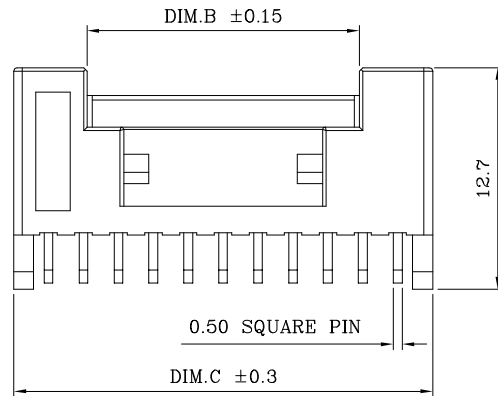


NOTES:  
 1. MATERIAL: PA66 GLASS-FILLED 94V-0  
 2. CONTACT PIN: BRASS



DIMENSIONS:				
CIRCUITS	DIM.A	DIM.B	DIM.C	DIM.D
8	6.0	---	10.0	7.8
10	8.0	---	12.0	9.8
12	10.0	7.2	14.0	11.8
14	12.0	7.2	16.0	13.8
16	14.0	9.2	18.0	15.8
18	16.0	9.2	20.0	17.8
20	18.0	15.2	22.0	19.8
22	20.0	15.6	24.0	21.8
24	22.0	15.6	26.0	23.8
26	24.0	15.6	28.0	25.8
28	26.0	15.6	30.0	27.8
30	28.0	20.0	32.0	29.8
32	30.0	20.0	34.0	31.8
34	32.0	20.0	36.0	33.8

P.C. BOARD LAYOUT

**RoHS Compliant**

TOLERANCES ARE

**MORETHANALL**  
 PCB CONNECTORS  
 Cable ASSEMBLIES

DRAWING BY CY

CHECKED BY GENIUS

UNIT / mm

SCALE 1 : 1

DATE

SIZE A4

X, ±  
 .X ± 0.25  
 .XX ± 0.12  
 .XXX ± 0.08  
 ANG ± 3°

PJECTION

照片框

**ORDER INFORMATION**

PUD-RP-xx-LF  
 SERIES | LEADFREE  
 08~34WAY  
 POST  
 DIP 90°

煜倫股份有限公司

www.morethanall.com

DESCRIPTION: 2.00mm PITCH (DUAL-ROW) RIGHT-ANGLE PIN HEADER