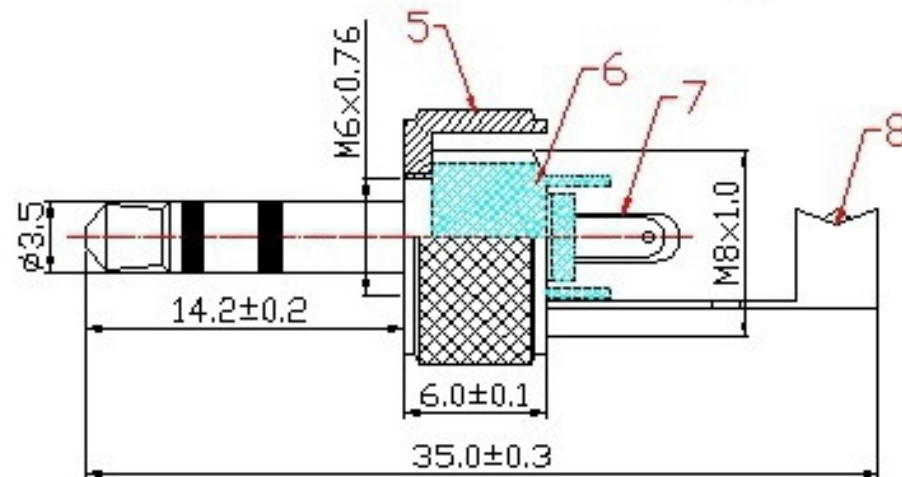


8	CRIMPING PATCH	Cu
7	SOLDERING PATCH	POM
6	DIELECTRIC	POM
5	COPPER HEAD	Cu
4	SPRING	Fe
3	SHELL	Cu
2	DIELECTRIC	POM
1	FRONT POINT	Cu
ITEM	DESIGNATION	MATERIAL



RoHS Compliant

TOLERANCES ARE

**MORETHANALL**  
PCB CONNECTORS  
Cable ASSEMBLIES

DRAWING BY CY

X, ±

CHECKED BY GENIUS

.X ±

UNIT / mm

SCALE 1 : 1

.XX ±

DATE

.XXX ±

ANG ±

SIZE A4

P PROJECTION



ORDER INFORMATION

PP-AS-03M-LF  
SERIES | LEADFREE  
METAL  
03WAY  
SCREW  
ASSEMBLY

煜倫股份有限公司

www.morethanall.com

DESCRIPTION: