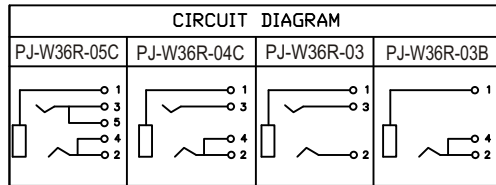


T:1.6 Dimensions of PC board holes
Tolerance : ±0.1(Printed-top view)



UNLESS OTHERWISE SPECIFIED, TOLERANCE ON DECIMAL: ±0.2

6	HOUSING	1	PA9T	UL-94V0(BLACK)
5	COVER	1	LCP	UL-94V0(BLACK)
4	TERMINAL	2	C2680 t=0.30	MB:Cu Ag Plated
3	SPRING TERMINAL	1	C5191 t=0.20	MB:Cu Ag Plated
2	SPRING TERMINAL	1	C5191 t=0.20	MB:Cu Ag Plated
1	CONTACT FOOT	1	C5191 t=0.30	MB:Cu Ag Plated
LTR	PART NAME	QTY	MATERIAL	REMARK

RoHS Compliant

TOLERANCES ARE

MORETHANALL
PCB CONNECTORS
Cable ASSEMBLIES

煜倫股份有限公司

www.morethanall.com

DRAWING BY CY

CHECKED BY GENIUS

UNIT / mm

SCALE 1 : 1

DATE

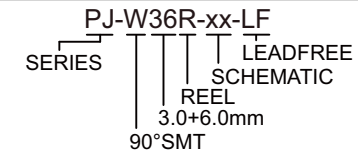
SIZE A4

PPOJECTION

X, ±
.X ±
.XX ±
.XXX ±
ANG ±



ORDER INFORMATION



DESCRIPTION: MINIATURE JACK

1 Space=1 pcs

1 Film packing box=1×600pcs
=600pcs

1 Big Carton=13×600pcs=7800pcs

1 Film packing box Dimension
=L×W×H
=10200×24×6.9

The thickness of the film=0.4mm

1 Cover tape Dimension
=L×W×H
=10200×21.3×0.06

1 Embossed Carrier Reel Dimension
=D×H
=330×29.1

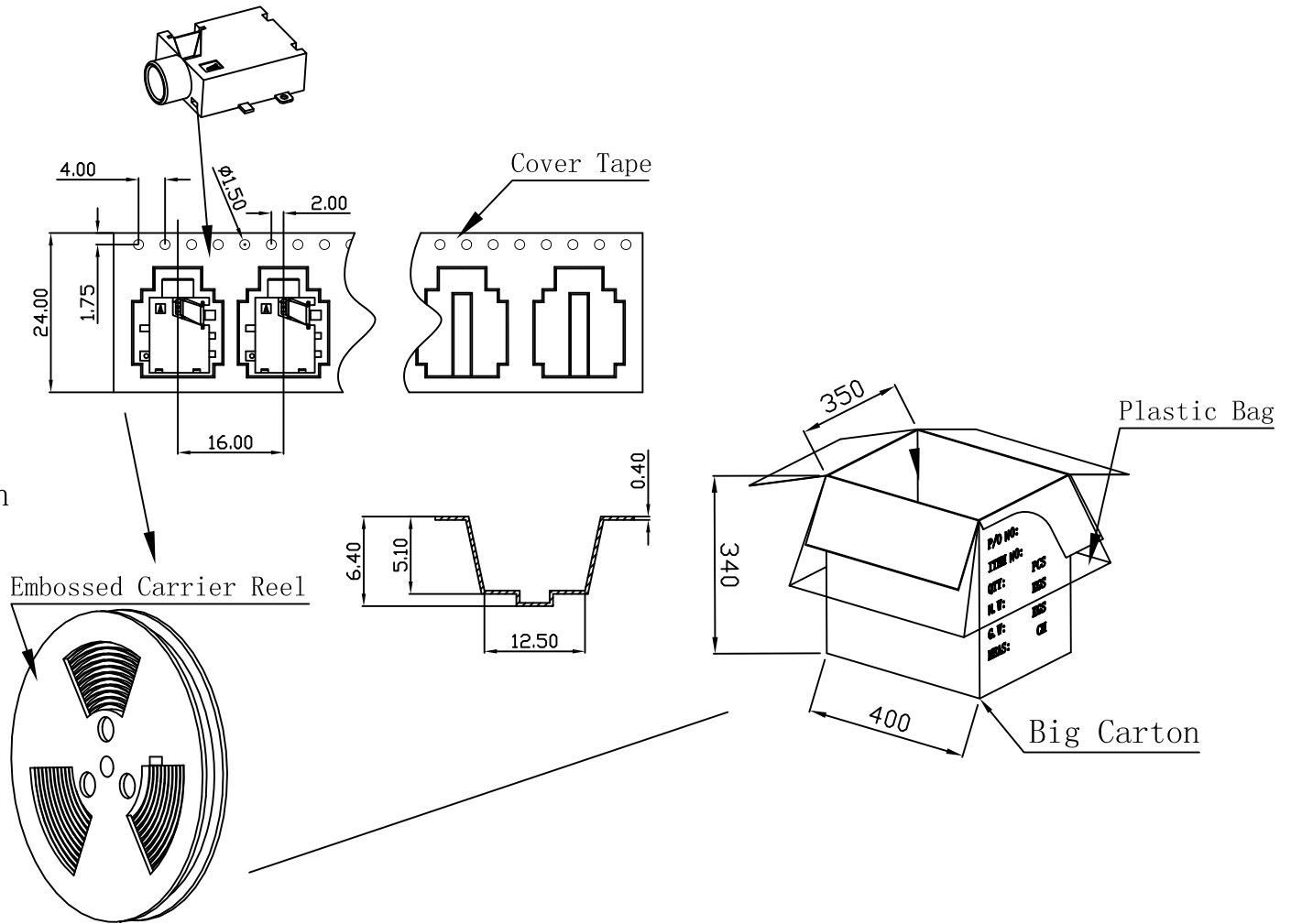
1 Plastic Bag Dimension
=L×W×D
=1000×1100×0.06

1 Big Carto Dimension
=L×W×H
=400×350×340

Unit:mm

Total weight:11Kg

Net weight: 5.5Kg



RoHS Compliant

TOLERANCES ARE

MORETHANALL
PCB CONNECTORS
Cable ASSEMBLIES

DRAWING BY CY

X, ±

CHECKED BY GENIUS

.X ±

UNIT / mm

SCALE 1 : 1

.XX ±

.XXX ±

ANG ±

DATE

SIZE A4

PPOJECTION



ORDER INFORMATION

PJ-W36R-xx-LF

SERIES | | | LEADFREE
| | | SCHEMATIC
| | | REEL
| | | 3.0+6.0mm
| | | 90°SMT

DESCRIPTION:

煜倫股份有限公司

www.morethanall.com