

RECOMMENDED PCB LAYOUT
GENERAL TOLERANCE: ± 0.05

SPECIFICATION:

1. ELECTRICAL
 - 1.1 Current Rating: 3A per pin
 - 1.2 Voltage Rating: 24VDC
 - 1.3 Contact Resistance: 50mΩ
 - 1.4 Insulation Resistance: 100MΩ
 - 1.5 Dielectric Withstanding Voltage: 500VAC
2. MECHANICAL
 - 2.1 Durability: 20,000 Cycle
3. ENVIRONMENTAL
 - 3.1 Operating temperature range: $-40^{\circ}\text{C}\sim+60^{\circ}\text{C}$
 - 3.2 Storage temperature range: $-40^{\circ}\text{C}\sim+60^{\circ}\text{C}$
4. HAND SOLDERING
 - 4.1 Recommended hand soldering conditions Temperature $240^{\circ}\text{C}\pm 10^{\circ}\text{C}$, 3~5 sec.

4	GLUE	EPOXY
3	CONTACT	Brass C6801, plating 10u" Au
2	MAGNET	N52, NdFeB Magnet plating Ni
1	HOUSING	PA9T, UL94 V-0 black
NO.	PART NAME	DESCRIPTION

RoHS Compliant

TOLERANCES ARE

MORETHANALL
PCB CONNECTORS
Cable ASSEMBLIES

煜倫股份有限公司

www.morethanall.com

DRAWING BY CY

CHECKED BY GENIUS

UNIT / mm SCALE 1:1

DATE

SIZE A4

X. ± 0.50

.X ± 0.25

.XX ± 0.12

.XXX \pm

ANG \pm

PPOJECTION

照片框

ORDER INFORMATION

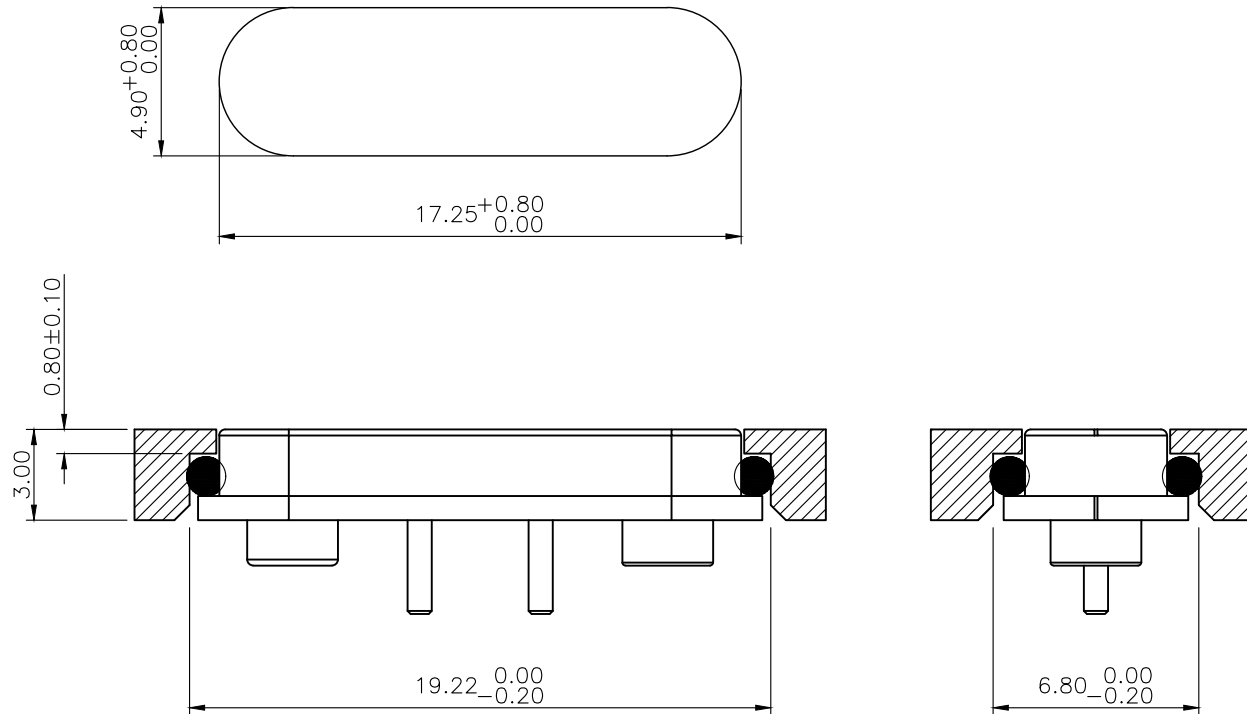
PGS40-DMS-02-LF

SERIES | | LEADFREE
| | 02 WAY
| | MAGNETIC SUCTION
DIP 180°

DESCRIPTION: Machine Pin Magnetic, IP67, 2 Pin, H4.5 Pitch 4.0mm, DIP, 10u", 3A, Black

Note 1:

(The connector number does not include the O-ring, please order it separately if you want ORING)



Recommended Panel cut

RoHS Compliant

TOLERANCES ARE

MORETHANALL
PCB CONNECTORS
Cable ASSEMBLIES

DRAWING BY CY

X. ± 0.50

CHECKED BY GENIUS

.X ± 0.25

UNIT / mm

SCALE 1:1

.XX ± 0.12

DATE

.XXX \pm

ANG \pm

照片框

ORDER INFORMATION

PGS40-DMS-02-LF

SERIES

LEADFREE

02 WAY

MAGNETIC SUCTION

DIP 180°

煜倫股份有限公司

www.morethanall.com

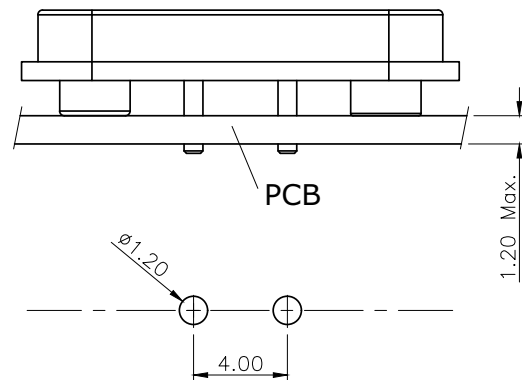
SIZE A4

PPOJECTION

DESCRIPTION: Machine Pin Magnetic, IP67, 2 Pin, H4.5 Pitch 4.0mm, DIP, 10u", 3A, Black

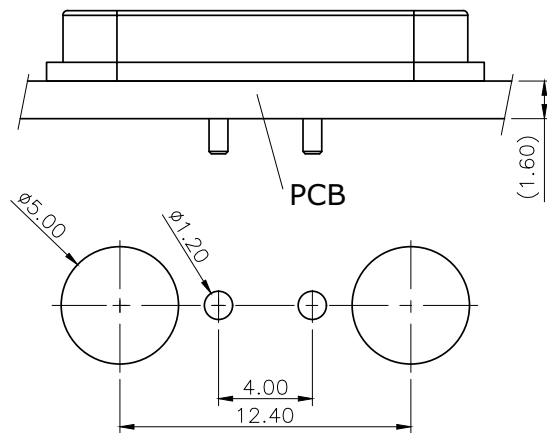
1. Use PCB for soldering - A

The magnet is placed on top of the board.



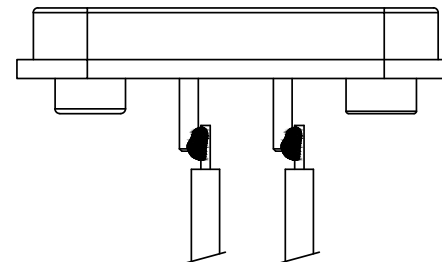
2. Use PCB for soldering - B

Magnets pass through PCB



Recommended PCB layout
General tolerance: $\pm 0.05\text{mm}$

3. Using wire for soldering



MORETHANALL
PCB CONNECTORS
Cable ASSEMBLIES

煜倫股份有限公司

www.morethanall.com

RoHS Compliant

DRAWING BY CY

CHECKED BY GENIUS

UNIT / mm SCALE 1 : 1

DATE

SIZE A4

TOLERANCES ARE

X. ± 0.50

.X ± 0.25

.XX ± 0.12

.XXX \pm

ANG \pm

PJECTION

照片框

ORDER INFORMATION

PGS40-DMS-02-LF

SERIES | | LEADFREE
| | 02 WAY
| | MAGNETIC SUCTION
DIP 180°

DESCRIPTION: Machine Pin Magnetic, IP67, 2 Pin, H4.5 Pitch 4.0mm, DIP, 10u", 3A, Black