

SPECIFICATION:

1. ELECTRICAL

- 1.1 Current Rating: 3A per pin
- 1.2 Voltage Rating: 24VDC
- 1.3 Contact Resistance: 50mΩ
- 1.4 Insulation Resistance: 100MΩ
- 1.5 Dielectric Withstanding Voltage: 500VAC

2. MECHANICAL

- 2.1 Durability: 20000 Cycle
- 2.2 Spring force: 60±20g at 1.10mm working stroke

3. ENVIRONMENTAL

- 3.1 Operating temperature range: -40°C~+60°C
- 3.2 Storage temperature range: -40°C~+60°C

4. HAND SOLDERING

- 4.1 Recommended hand soldering conditions Temperature 240°C±10°C, 3~5 sec.

4	GLUE	EPOXY
3	CONTACT	Brass C6801, plating 10u" Au
2	MAGNET	N52, NdFeB Magnet plating Ni
1	HOUSING	PA9T, UL94 V-0 black
NO.	PART NAME	DESCRIPTION

RoHS Compliant

TOLERANCES ARE

MORETHANALL
PCB CONNECTORS
Cable ASSEMBLIES

煜倫股份有限公司

www.morethanall.com

DRAWING BY CY

CHECKED BY GENIUS

UNIT / mm

SCALE 1 : 1

DATE

SIZE A4

X. ± 0.50

.X ± 0.25

.XX ± 0.12

.XXX ±

ANG ±

PJECTION

照片框

ORDER INFORMATION

PGP40-DPMS-02-LF

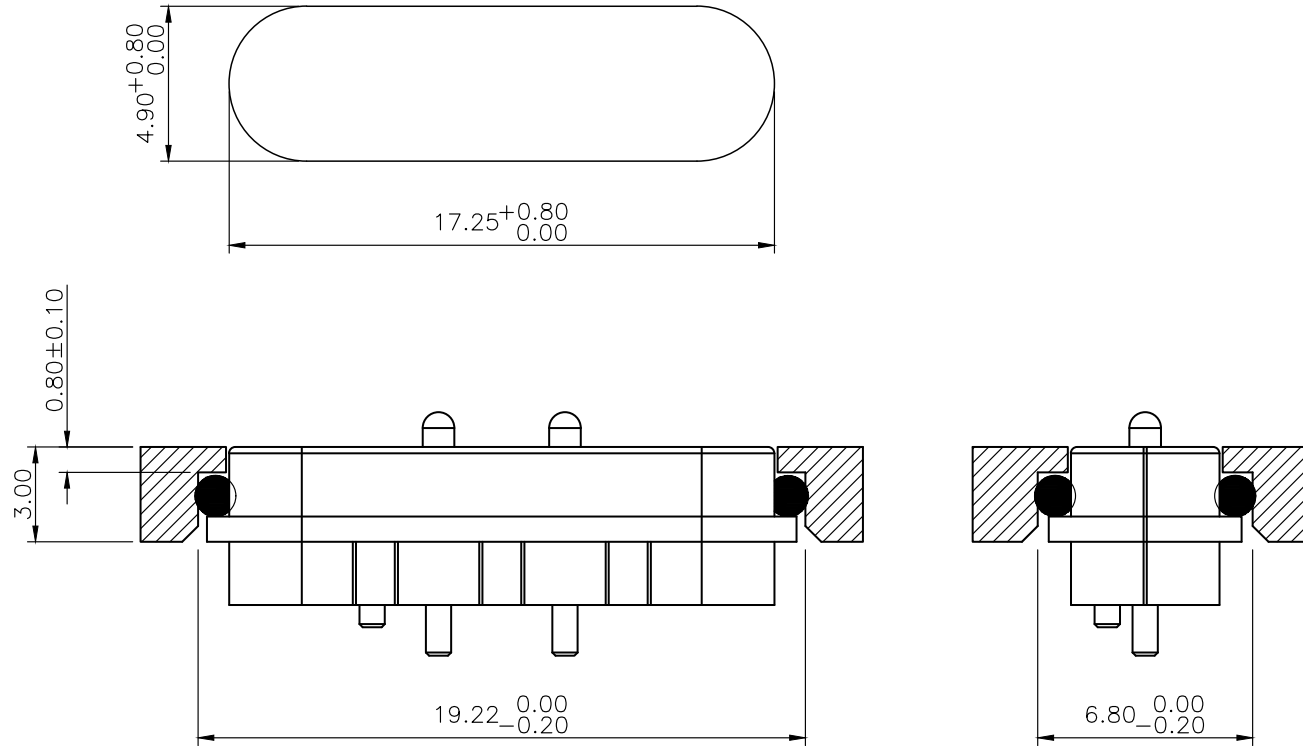
SERIES

LEADFREE
02 WAY
MAGNETIC SUCTION
POST
DIP 180°

DESCRIPTION: Pogo Pin Magnetic, IP67, 2 Pin, H5.0 Pitch 4.0mm, DIP, 10u", 3A, Black

Note 1:

(The connector number does not include the O-ring, please order it separately if you want ORING)



Recommended Panel Cut

RoHS Compliant

TOLERANCES ARE

MORETHANALL
PCB CONNECTORS
Cable ASSEMBLIES

DRAWING BY CY

X. ± 0.50

CHECKED BY GENIUS

.X ± 0.25

UNIT / mm

SCALE 1 : 1

.XX ± 0.12

DATE

.XXX \pm

ANG \pm

照片框

ORDER INFORMATION

PGP40-DPMS-02-LF

SERIES

LEADFREE

02 WAY

MAGNETIC SUCTION

POST

DIP 180°

煜倫股份有限公司

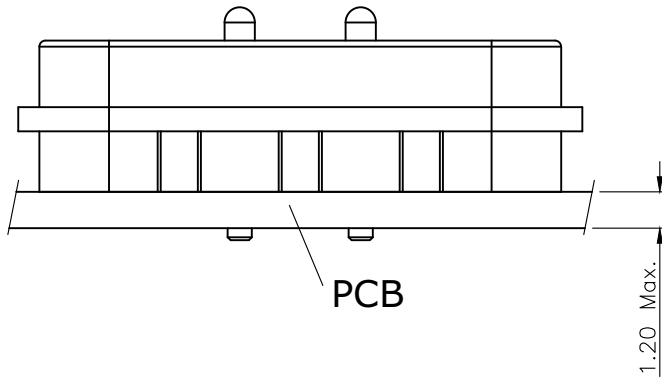
www.morethanall.com

SIZE A4

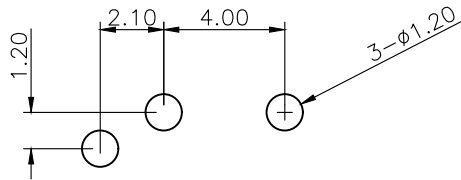
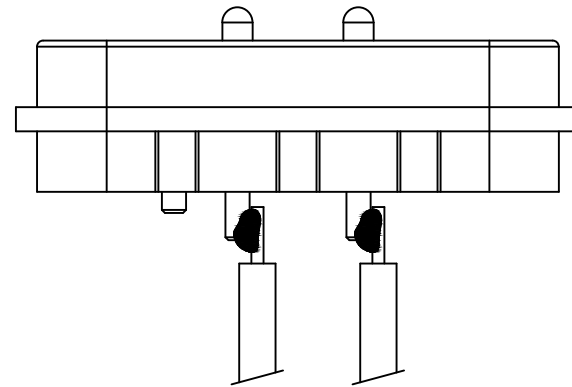
PPOJECTION

DESCRIPTION: Pogo Pin Magnetic, IP67, 2 Pin, H5.0 Pitch 4.0mm, DIP, 10u", 3A, Black

1. Use PCB for soldering



2. Using wire for soldering



RECOMMENDED PCB LAYOUT
GENERAL TOLERANCE: ±0.05

RoHS Compliant

TOLERANCES ARE

MORETHANALL
 PCB CONNECTORS
 Cable ASSEMBLIES

DRAWING BY CY

X. ± 0.50

CHECKED BY GENIUS

.X ± 0.25

UNIT / mm

SCALE 1 : 1

.XXX ±

DATE

ANG ±

照片框

ORDER INFORMATION

PGP40-DPMS-02-LF

SERIES

LEADFREE

02 WAY

MAGNETIC SUCTION

POST

DIP 180°

煜倫股份有限公司

www.morethanall.com

SIZE A4

PPOJECTION

DESCRIPTION: Pogo Pin Magnetic, IP67, 2 Pin, H5.0 Pitch 4.0mm, DIP, 10u", 3A, Black