

Specifications

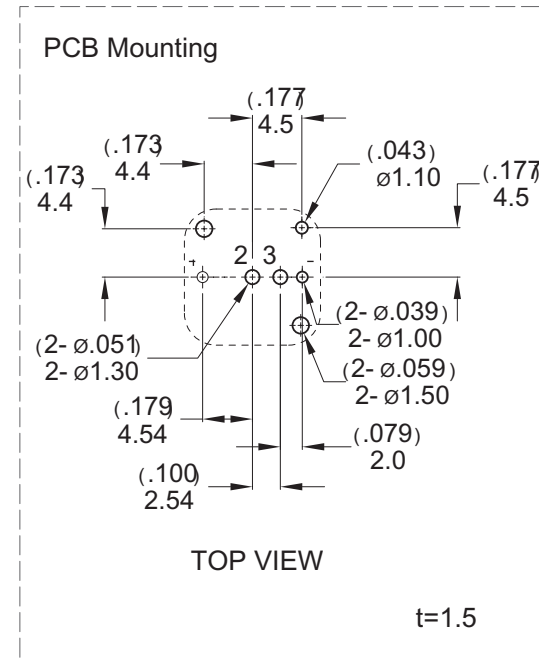
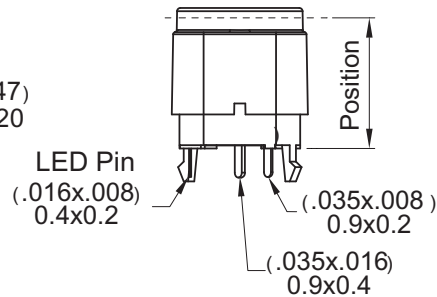
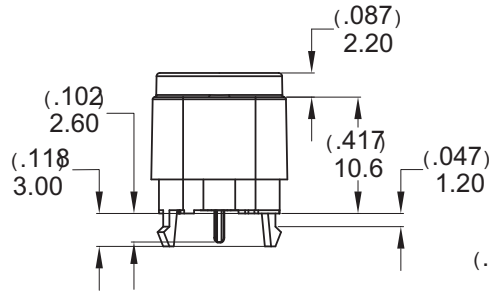
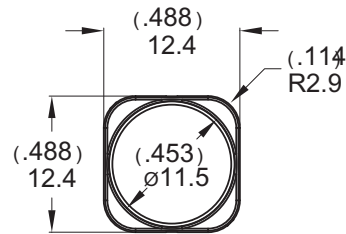
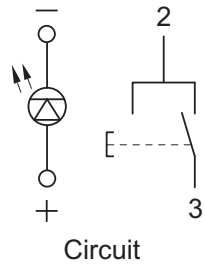
Rating: 30 mA / 28 VDC
 Operating Speed: 10 mm/sec
 Operating Frequency: 25~30 operation cycles per minute.
 Electric Life: 20,000 cycles
 Mechanical Life: 500,000 cycles
 Force 1: 5~7 N; Force 2: 10~13 N
 Operating Position 1: 11.8 ± 0.2 mm
 Operating Position 2: 11.0 ± 0.2 mm
 Full Travels: 2.0 mm
 Operating Temperature: -40°C to 85°C

Materials

Pusher: POM Natural.
 Dust Protection Cap: POM.
 Case: PA Nature glass fiber reinforced.
 Spring: Piano wire.
 Contact Terminal: gold flash plated.
 Contact Pairing: Brass alloy.
 Movable Contact: Brass alloy with gold plated.

Soldering Process

Wave Soldering: Recommend soldering temperature: 260 ± 5°C.
 Duration of solder immersion: Max. 5 sec.
 (PCB thickness is 1.6 mm (.063 inch))



RoHS Compliant

TOLERANCES ARE

MORETHANALL
 PCB CONNECTORS
 Cable ASSEMBLIES

煜倫股份有限公司

www.morethanall.com

DRAWING BY CY

CHECKED BY GENIUS

UNIT / mm

SCALE 1 : 1

DATE

SIZE A4

PPOJECTION

X, ±
 .X ±
 .XX ±
 .XXX ±
 ANG ±

照片框

ORDER INFORMATION

PBR12-DLWW20-700A02-LF

SERIES

LEADFREE
 7N 1X02
 FULL TRAVELS 2.0mm
 WHT/BODY WHT
 DIP 180°+LOCK

DESCRIPTION: