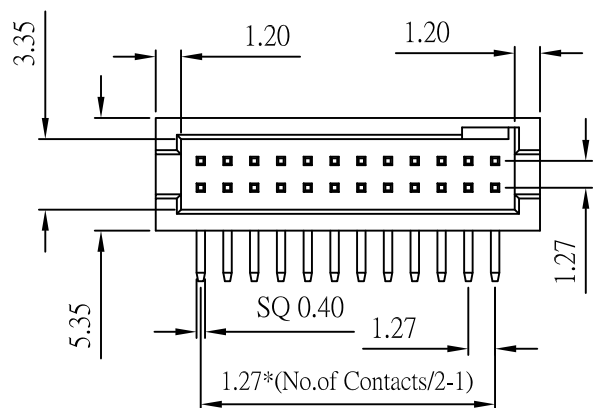
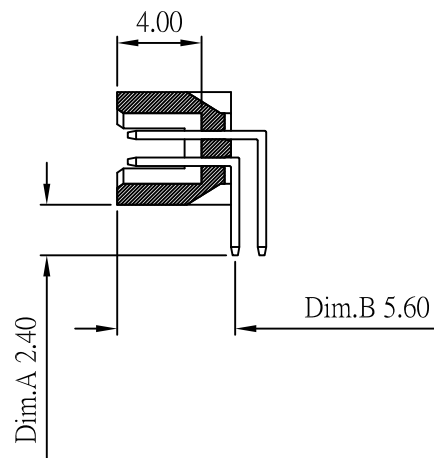
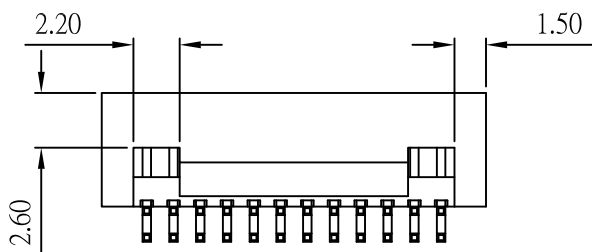


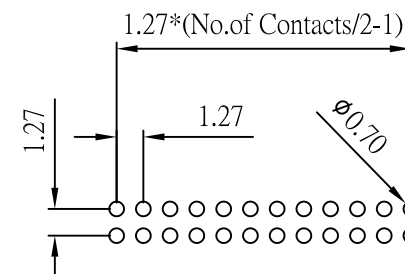
Current Rating and Voltage : 1 Amps 250V AC (r.m.s)
 Insulator Resistance : 5000 Megohms min
 Contact Resistance : 20 m ohms max
 Dielectric Withstanding : 500 V AC
 Operating Temperature : - 40° ~ +105° C
 Max Processing Temp : 230°C for 60 seconds
 Max Processing Temp : 260° C for 10 seconds
 Contact Material : Copper Alloy
 Insulator Material : High Temperature Polyester,UL 94V-0
 Standard: Gold Flash all over



06-30 pin : 0.10mm
 32-70 pin : 0.20mm
 72-100 pin : 0.30mm



Recommended P.C. Board Hole Layout



RoHS Compliant

TOLERANCES ARE

MORETHANALL
 PCB CONNECTORS
 Cable ASSEMBLIES

煜倫股份有限公司

www.morethanall.com

DRAWING BY CY

CHECKED BY GENIUS

UNIT / mm

SCALE 1 : 1

DATE

SIZE A4

PJECTION

X. ±
 .X ± 0.30
 .XX ± 0.20
 .XXX ± 0.10
 ANG ± 1°

照片框

ORDER INFORMATION

PAB-R-2Xxx-LF
 SERIES | LEADFREE
 2X03:06WAY
 2X50:100WAY
 DIP 90°

DESCRIPTION: