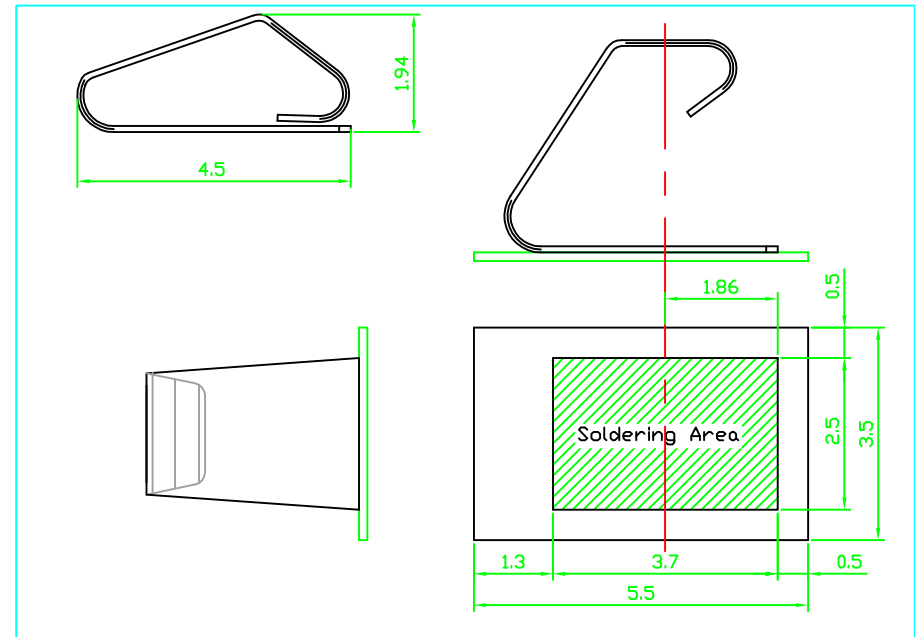


### PCB Recommend Layout Pattern



- Note:
1. Plating: Au 1u" over Nickel. (Barrel Plating)
  2. T: 0.1mm

尺寸公差  $\pm 0.2\text{mm}$

RoHS Compliant

TOLERANCES ARE

**MORETHANALL**  
PCB CONNECTORS  
Cable ASSEMBLIES

DRAWING BY CY

X.  $\pm$

CHECKED BY GENIUS

.X  $\pm$

UNIT / mm

SCALE 1 : 1

.XX  $\pm$

DATE

.XXX  $\pm$

ANG  $\pm$

SIZE A4

PJECTION



ORDER INFORMATION

OGT-VXG01R-452535-LF

SERIES

REEL

GOLD 1u"

NON POST

180° SMT

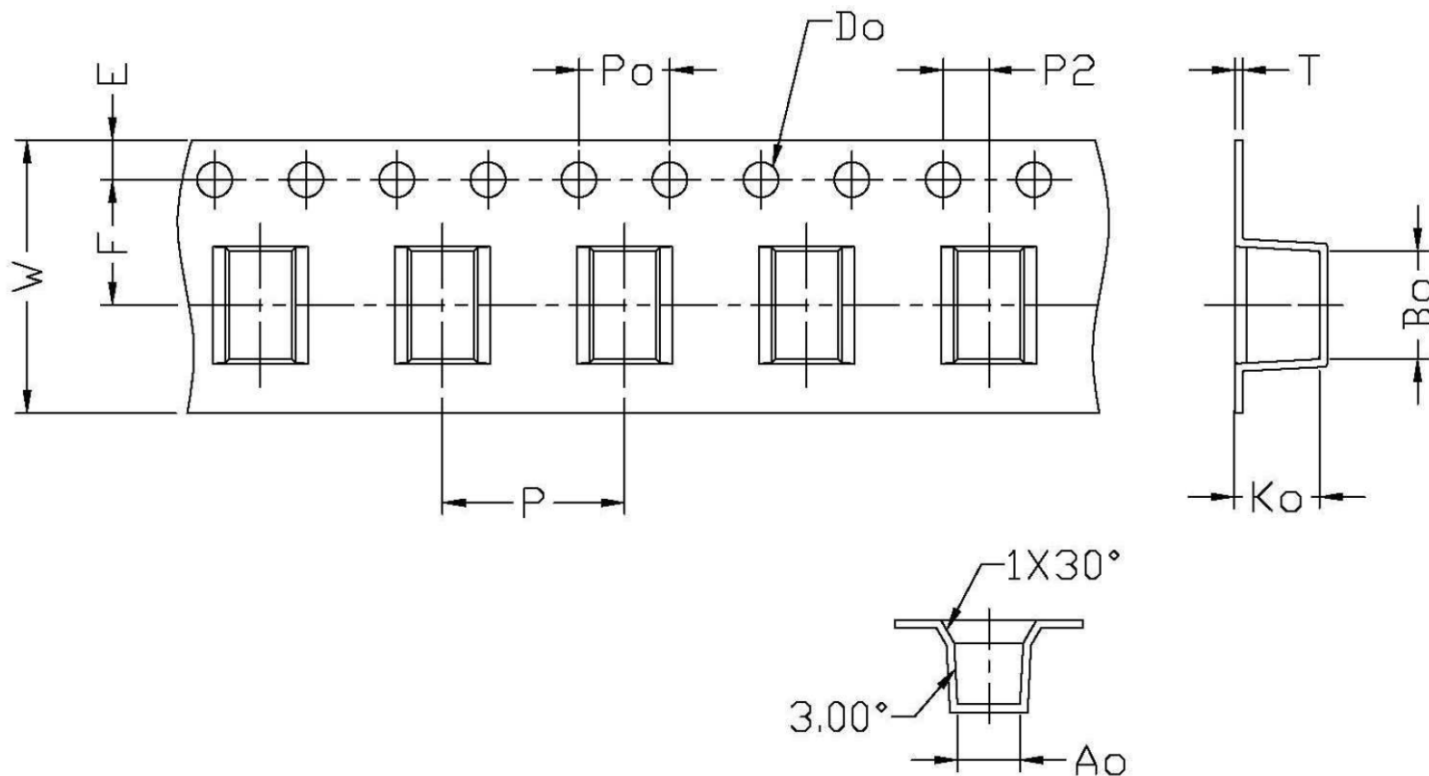
LEADFREE

4.50X2.50X3.50mm

煜倫股份有限公司

www.morethanall.com

DESCRIPTION:



ITEM	DIM	ALTERNATE
W	12.00 <sup>+0.30</sup> <sub>-0.30</sub>	
E	1.75 <sup>+0.10</sup> <sub>-0.10</sub>	
F	5.50 <sup>+0.05</sup> <sub>-0.05</sub>	
P	8.00 <sup>+0.10</sup> <sub>-0.10</sub>	
P <sub>0</sub>	4.00 <sup>+0.10</sup> <sub>-0.10</sub>	
P <sub>2</sub>	2.00 <sup>+0.05</sup> <sub>-0.05</sub>	
D <sub>0</sub>	∅1.50 <sup>+0.10</sup> <sub>-0.00</sub>	
T	0.35 <sup>+0.05</sup> <sub>-0.05</sub>	
A <sub>0</sub>	2.75 <sup>+0.10</sup> <sub>-0.10</sub>	
B <sub>0</sub>	4.75 <sup>+0.10</sup> <sub>-0.10</sub>	
K <sub>0</sub>	3.70 <sup>+0.10</sup> <sub>-0.10</sub>	

1. 10 sprocket hole pitch cumulative tolerance ±0.20mm.
2. Carrier camber not to exceed 1mm in 250mm.
3. A<sub>0</sub> and B<sub>0</sub> measured on a plane 0.3mm above the bottom of the pocket.
4. K<sub>0</sub> measured from a plane on the inside bottom of the pocket to the top surface of the carrier.
5. All dimensions meet EIA-481-B requirements.
6. Packing length per 22" reel : 49.8 Meters.
7. Components loaded per 13" reel : 2000 pcs. (CG-134 : 4" core)

RoHS Compliant

TOLERANCES ARE

**MORETHANALL**  
PCB CONNECTORS  
Cable ASSEMBLIES

煜倫股份有限公司

www.morethanall.com

DRAWING BY CY

CHECKED BY GENIUS

UNIT / mm SCALE 1 : 1

DATE

SIZE A4

X. ±

.X ±

.XX ±

.XXX ±

ANG ±

PJECTION



ORDER INFORMATION

OGT-VXG01R-452535-LF

SERIES | LEADFREE  
REEL | 4.50X2.50X3.50mm  
GOLD 1u"  
NON POST  
180°SMT

DESCRIPTION: