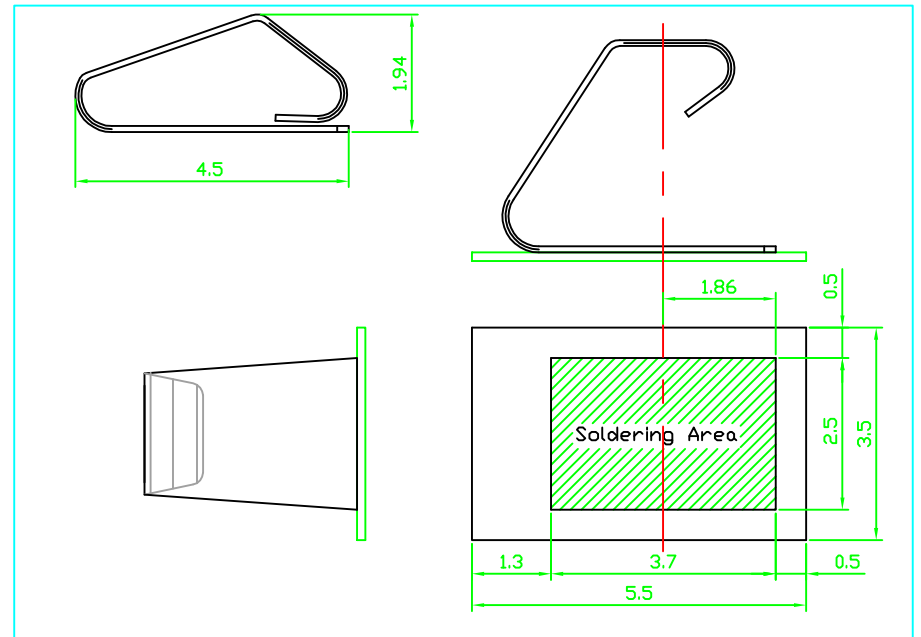


### PCB Recommend Layout Pattern



Note:  
 1. Plating: Au 1u" over Nickel. (Barrel Plating)  
 2. T: 0.1mm

尺寸公差  $\pm 0.2\text{mm}$

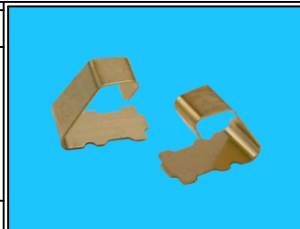
RoHS Compliant

TOLERANCES ARE

**MORETHANALL**  
 PCB CONNECTORS  
 Cable ASSEMBLIES

DRAWING BY CY  
 CHECKED BY GENIUS  
 UNIT / mm SCALE 1:1  
 DATE

X.  $\pm$   
 .X  $\pm$   
 .XX  $\pm$   
 .XXX  $\pm$   
 ANG  $\pm$



ORDER INFORMATION

OGT-VXG01-452535-LF  
 SERIES LEADFREE  
 4.50X2.50X3.50mm  
 GOLD 1u"  
 NON POST  
 180°SMT

煜倫股份有限公司

www.morethanall.com

SIZE A4 PROJECTION

DESCRIPTION: