

P.C.B LAYOUT
TOP VIEW ±0.05

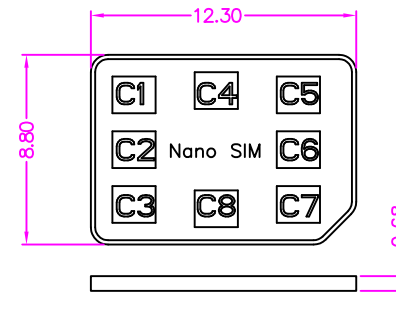
▨ PAD AREA
▨ KEEP OUT AREA

MATERIALS

HOUSING: LCP (UL 94V-0)
SHELL: STAINLESS STEEL, NICKEL PLATING
SOLDER PAD: STAINLESS STEEL, GOLD FLASH
TERMINAL: COPPER ALLOY, GOLD PLATING

SPECIFICATION

CURRENT RATING: 0.5 AMP MAX
DIELECTRIC WITHSTANDING: 500V AC FOR ONE MINUTE
CONTACT RESISTANCE: 100m OHMS MAX
INSULATION RESISTANCE: 1000M OHMS MIN AT DC 500V
OPERATION TEMPERATURE: -40°C~+85°C



SIM pin Assignment	
PIN#	Name
C1	VCC
C2	RST
C3	CLK
C5	GND
C6	VPP
C7	I/O
CD	Detect Switch

RoHS Compliant

TOLERANCES ARE

MORETHANALL
PCB CONNECTORS
Cable ASSEMBLIES

煜倫股份有限公司

www.morethanall.com

DRAWING BY CY

CHECKED BY GENIUS

UNIT / mm

SCALE 1 : 1

DATE

SIZE A4

X. ± 0.40

.X ± 0.30

.XX ± 0.20

.XXX ± 0.10

ANG ±

P PROJECTION

照片框

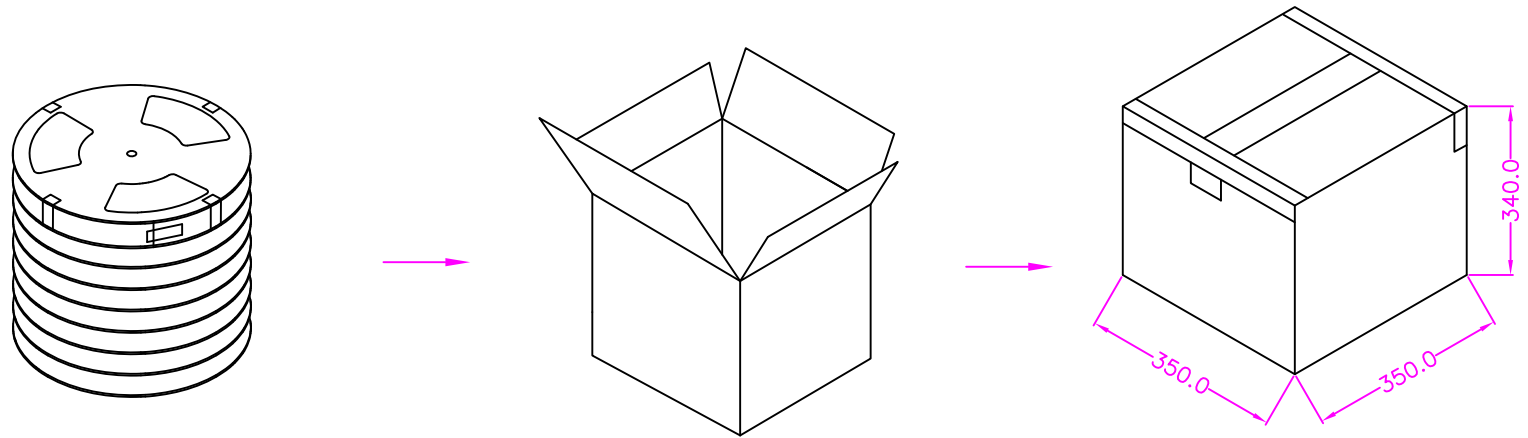
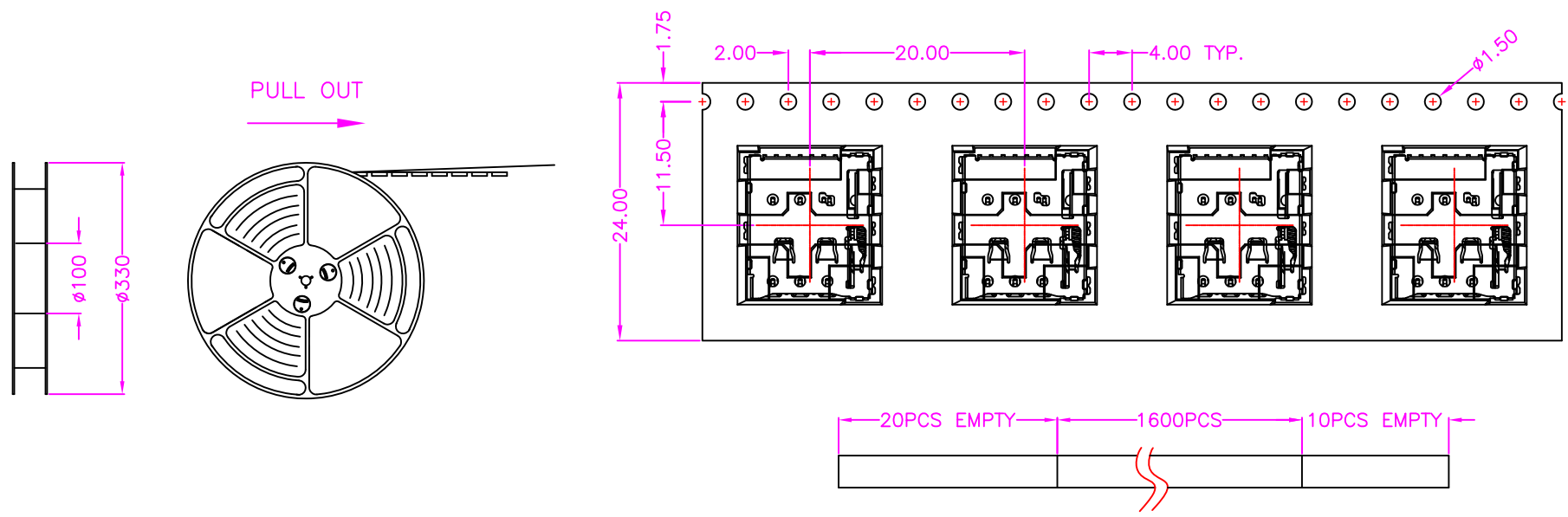
ORDER INFORMATION

NASCP-W07PXR-06-LF

SERIES

LEADFREE
06WAY
REEL
NON SWITCH
POST TO POST 7.3mm
90°SMT

DESCRIPTION: NANO SIM CARD, 7PIN, PCB MOUNT, SMT, METAL SHIELD, PUSH PUSH TYPE
H=1.25mm, FEMALE



NOTE: 1600PCS/ REEL, 16000PCS/ 10 REEL/ CARTON

RoHS Compliant

TOLERANCES ARE

MORETHANALL
PCB CONNECTORS
Cable ASSEMBLIES

DRAWING BY CY		X. ± 0.40
CHECKED BY GENIUS		.X ± 0.30
UNIT / mm	SCALE 1 : 1	.XX ± 0.20
DATE		.XXX ± 0.10
		ANG \pm

煜倫股份有限公司

www.morethanall.com

SIZE A4 PPROJECTION



ORDER INFORMATION

NASCP-W07PXR-06-LF
SERIES | | | LEADFREE
| | | 06WAY
| | | REEL
| | | NON SWITCH
| | | POST TO POST 7.3mm
| | | 90°SMT

DESCRIPTION: NANO SIM CARD, 7PIN, PCB MOUNT, SMT, METAL SHIELD, PUSH PUSH TYPE H=1.25mm, FEMALE