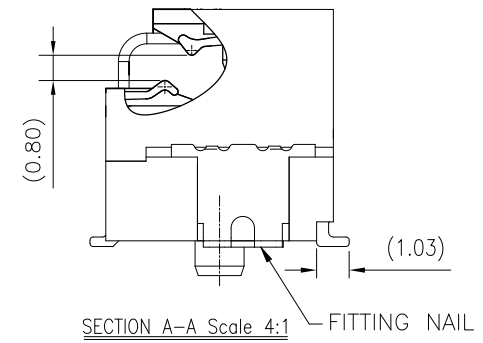
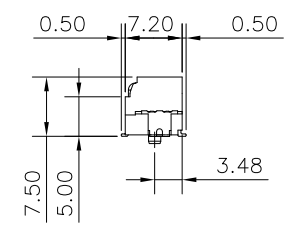
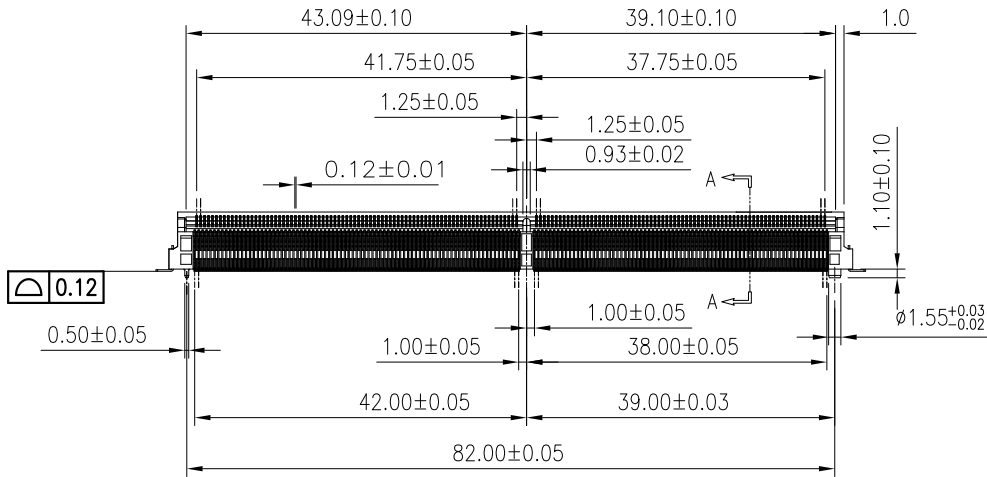
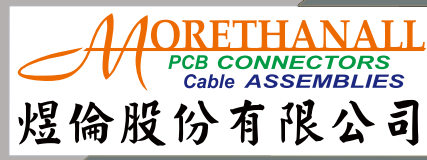


- NOTES:
- MATERIAL:
    - HOUSING: THERMOPLASTIC, HIGH TEMP.,UL94V-0; COLOR:Black.
    - CONTACT: COPPER ALLOY
    - FITTING NAIL: COPPER ALLOY
  - FINISH:
    - CONTACT:
      - UNDERPLATING: 50u" MIN. NICKEL OVERALL.
    - FITTING NAIL:
      - UNDERPLATING: 50u" MIN. NICKEL OVERALL.
      - FINISH:100~200u" MATT TIN OVER ALL
  - REFLOW SOLDER CAPABLE TO 260°C PER SPEC.
  - ROHS COMPLIANT PRODUCT.
  - THE PCB WARPAGE : 0.05MAX.
  - THE PCB Coplanarity : 0.08MAX.(ex.86.54mm&CONN.LAYOUT),



RoHS Compliant

TOLERANCES ARE



DRAWING BY CY		X. ± 0.50 .X ± 0.25 .XX ± 0.15 .XXX ± 0.10 ANG ± 2°
CHECKED BY GENIUS		
UNIT / mm	SCALE 1 : 1	
DATE		
SIZE A4	PJECTION	

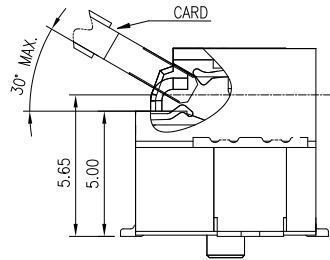
照片框

ORDER INFORMATION

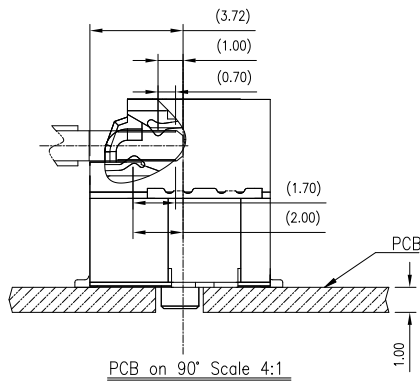
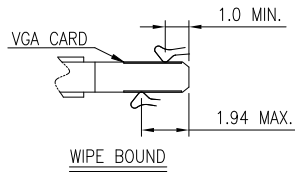
MXM054-W075EP2-165149-LF  
 SERIES | | | 314 WAY LEADFREE  
 EAR+POST  
 HIGH 7.5mm  
 90°SMT

DESCRIPTION: PCIe Gen4 MXM-3 314 PINS 0.5mm PITCH EDGE CARD CONN. SMT D/R R/A STD TYPE H=7.5mm (BTB H=5.0)

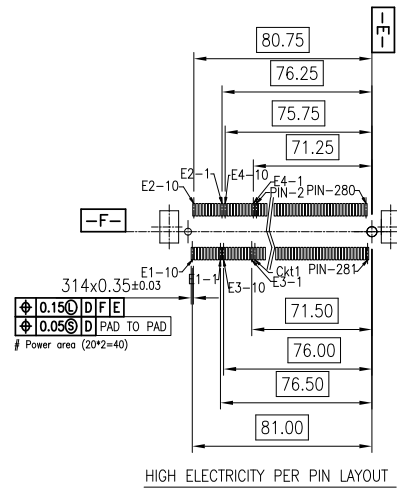
www.morethanall.com



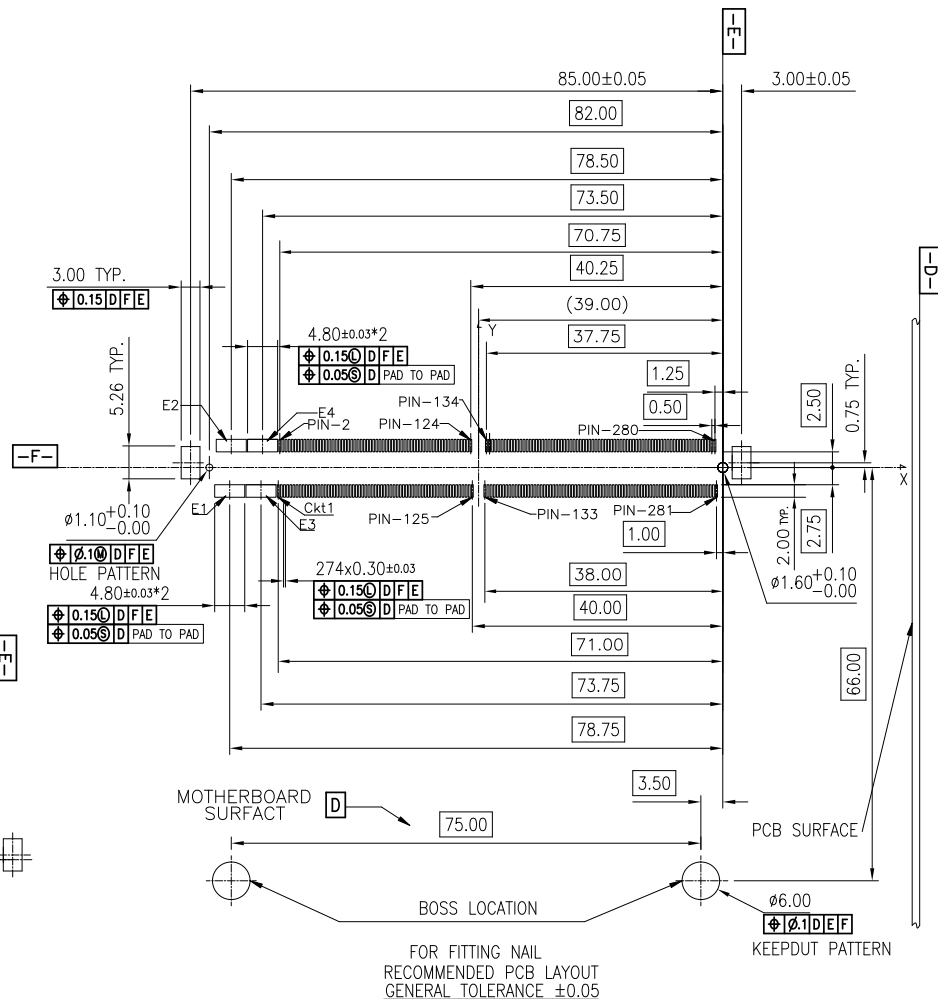
PCB 30° MAX In conn. Scale 4:1



PCB on 90° Scale 4:1



HIGH ELECTRICITY PER PIN LAYOUT



FOR FITTING NAIL  
RECOMMENDED PCB LAYOUT  
GENERAL TOLERANCE ±0.05

RoHS Compliant

TOLERANCES ARE

**MORETHANALL**  
PCB CONNECTORS  
Cable ASSEMBLIES

DRAWING BY CY

X. ± 0.50

CHECKED BY GENIUS

.X ± 0.25

UNIT / mm

SCALE 1 : 1

.XX ± 0.15

DATE

.XXX ± 0.10

ANG ± 2°

SIZE A4

PJECTION

照片框

ORDER INFORMATION

MXM054-W075EP2-165149-LF

SERIES

LEADFREE

314 WAY

EAR+POST

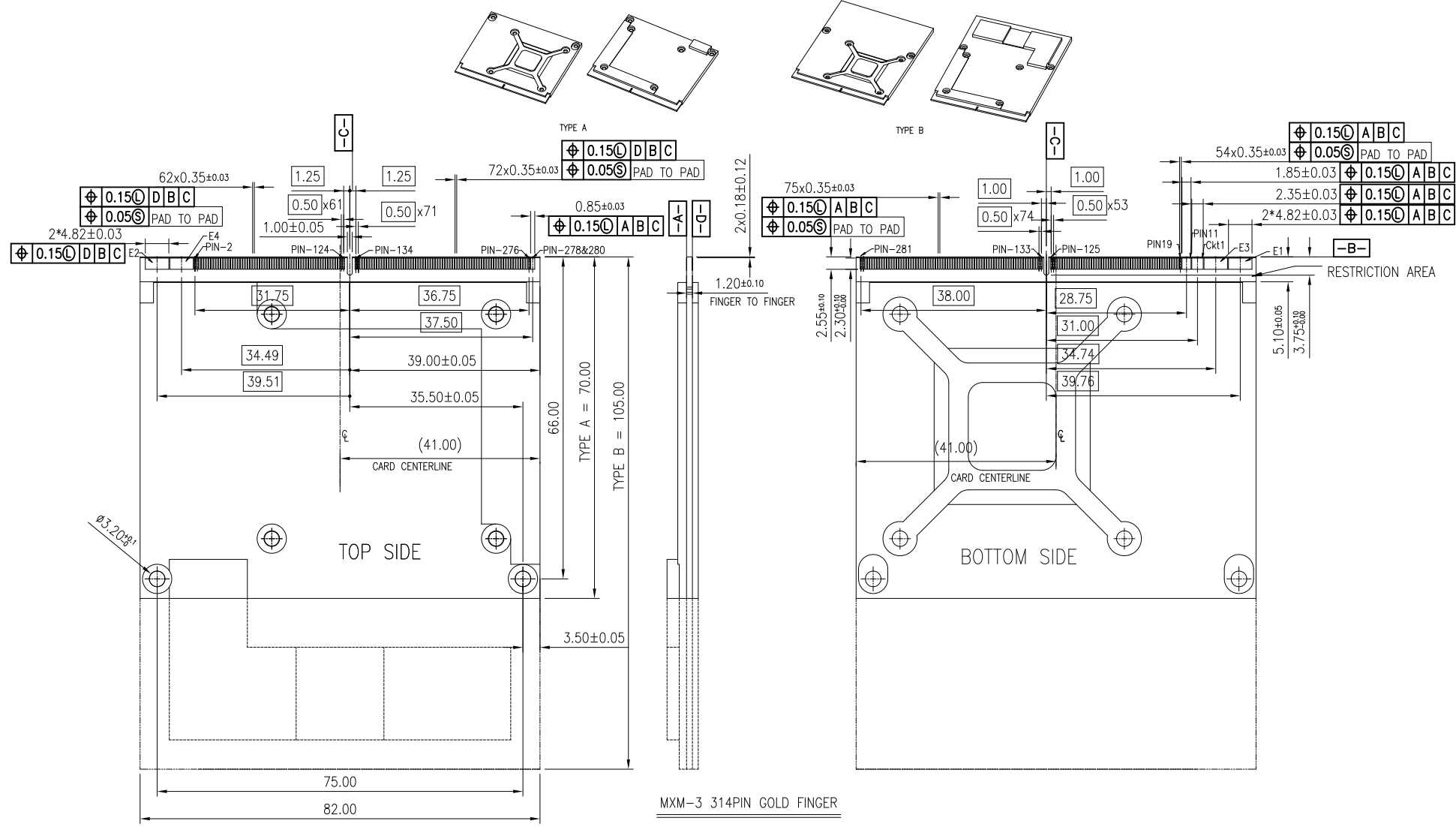
HIGH 7.5mm

90°SMT

煜倫股份有限公司

www.morethanall.com

DESCRIPTION: PCIe Gen4 MXM-3 314 PINS 0.5mm PITCH EDGE CARD CONN.  
SMT D/R R/A STD TYPE H=7.5mm (BTB H=5.0)



MXM-3 314PIN GOLD FINGER  
 MXM-3 MAX 321 CONTACT LOCATION  
 314 USEABLE (7 LOST TO KEY)

RoHS Compliant			TOLERANCES ARE		
 焯倫股份有限公司 <a href="http://www.morethanall.com">www.morethanall.com</a>	DRAWING BY CY		X. ± 0.50		
	CHECKED BY GENIUS		.X ± 0.25		
	UNIT / mm	SCALE 1 : 1	.XX ± 0.15		
	DATE		.XXX ± 0.10		
SIZE A4		P PROJECTION		ANG ± 2°	
ORDER INFORMATION					
<b>MXM054-W075EP2-165149-LF</b>					
SERIES		LEADFREE		314 WAY	
		EAR+POST		HIGH 7.5mm	
				90°SMT	
DESCRIPTION: PCIe Gen4 MXM-3 314 PINS 0.5mm PITCH EDGE CARD CONN. SMT D/R R/A STD TYPE H=7.5mm (BTB H=5.0)					

照片框