

NOTES:

1. MATERIAL:
 - 1.1 HOUSING: THERMOPLASTIC, HIGH TEMP., UL94V-0; COLOR:NATURAL.
 - 1.2 CONTACT: COPPER ALLOY
 - 1.3 FITTING NAIL: COPPER ALLOY
2. FINISH:
 - 2.1 CONTACT:

UNDERPLATING: 30u"~80u" MIN. NICKEL OVERALL.
 FINISH: 8:GOLD FLASH OVER ALL
 GOLD 3u" MIN. ON CONTACT
 M:GOLD 3u" MIN. ON CONTACT AND SOLDER FOR SELECTIVENESS
 - 2.2 FITTING NAIL:

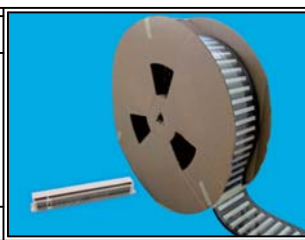
UNDERPLATING: 30u"~80u" MIN. NICKEL OVERALL.
 FINISH: 8:GOLD FLASH OVER ALL
 GOLD 3u" MIN. ON CONTACT
 M:GOLD 3u" MIN. ON CONTACT AND SOLDER FOR SELECTIVENESS
3. REFLOW SOLDER CAPABLE TO 260°C

RoHS Compliant

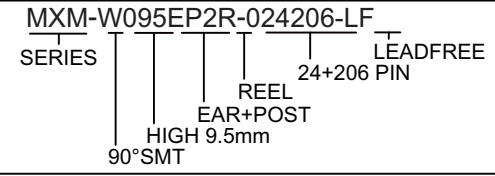
TOLERANCES ARE



DRAWING BY CY		X ± 0.50
CHECKED BY GENIUS		.X ± 0.25
UNIT / mm	SCALE 1 : 1	.XX ± 0.15
DATE		.XXX ± 0.10
		ANG ±



ORDER INFORMATION

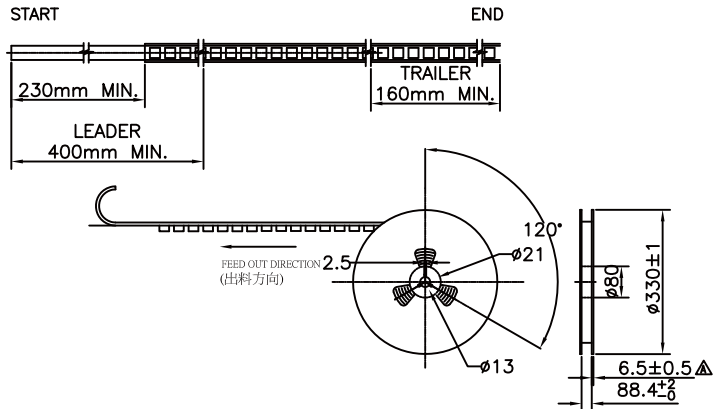


煜倫股份有限公司

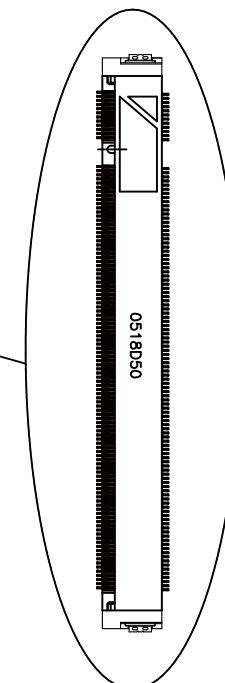
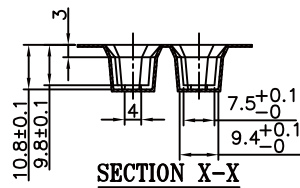
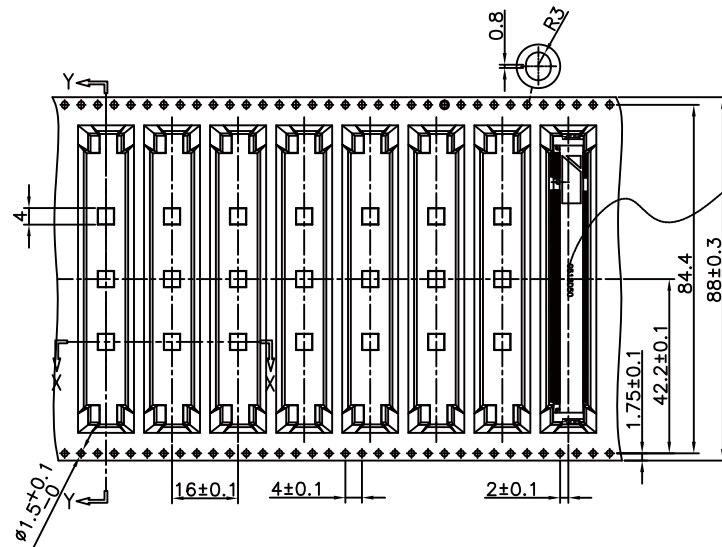
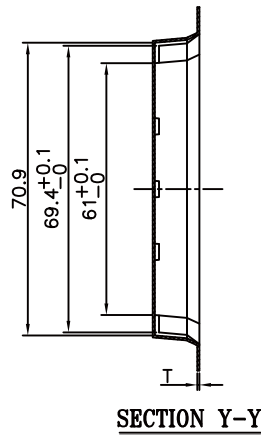
www.morethanall.com

SIZE A4 PPROJECTION

DESCRIPTION: MXM 230 pins 0.5mm pitch Edge Card Conn. R/A D/R STD H=9.5mm (BTB H=7.0)



- NOTES:
1. 10 SPROCKET HOLE PITCH CUMULATIVE TOLERANCE: ±0.20mm
 2. CARRIER CAMBER NOT TO EXCEED 1mm IN 100mm.
 3. ALL DIMENSIONS MEET EIA-481-3 REQUIREMENTS.
 4. MATERIAL: BLACK ANTI-STATIC POLYSTYRENE.
 5. THICKNESS: 0.5 ± 0.05 mm.
 6. PACKING LENGTH PER 22" REEL : 17.7 METERS.
 7. COMPONENT LOAD PER 13" REEL : 300 PCS.
 8. 包裝紙僅為雙層瓦楞紙，厚度為五層



RoHS Compliant

TOLERANCES ARE

MORETHANALL
PCB CONNECTORS
Cable ASSEMBLIES

DRAWING BY CY

X. ± 0.50

CHECKED BY GENIUS

.X ± 0.25

UNIT / mm

SCALE 1 : 1

.XX ± 0.15

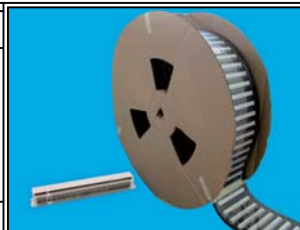
.XXX ± 0.10

ANG ±

DATE

SIZE A4

P PROJECTION



ORDER INFORMATION

MXM-W095EP2R-024206-LF
SERIES REEL LEADFREE
24+206 PIN
EAR+POST
HIGH 9.5mm
90° SMT

煜倫股份有限公司

www.morethanall.com

DESCRIPTION: MXM 230 pins 0.5mm pitch Edge Card Conn. R/A D/R STD H=9.5mm (BTB H=7.0)