

NOTES:

1. MATERIAL:

1.1 HOUSING: THERMOPLASTIC, HIGH TEMP., UL94V-0; COLOR:NATURAL.

1.2 CONTACT: COPPER ALLOY

1.3 FITTING NAIL:COPPER ALLOY

△ 2. FINISH:

2.1 CONTACT:

UNDERPLATING: 30u"~80u" MIN. NICKEL OVERALL.
FINISH: 8:GOLD FLASH OVER ALL

GOLD 3u" MIN. ON CONTACT
M:GOLD 3u" MIN. ON CONTACT
AND SOLDER FOR SELECTIVENESS

2.2 FITTING NAIL:

UNDERPLATING: 30u"~80u" MIN. NICKEL OVERALL.
FINISH: 8:GOLD FLASH OVER ALL

GOLD 3u" MIN. ON CONTACT
M:GOLD 3u" MIN. ON CONTACT
AND SOLDER FOR SELECTIVENESS

3. REFLOW SOLDER CAPABLE TO 260°C

RoHS Compliant

TOLERANCES ARE

MORETHANALL
PCB CONNECTORS
Cable ASSEMBLIES

DRAWING BY CY

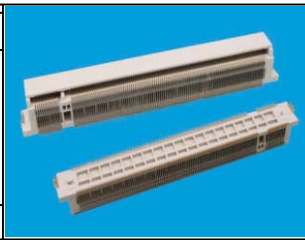
CHECKED BY GENIUS

UNIT/ mm SCALE 1:1

DATE

SIZE A4 PPROJECTION

X. ± 0.50
.X ± 0.25
.XX ± 0.15
.XXX ± 0.10
ANG ±



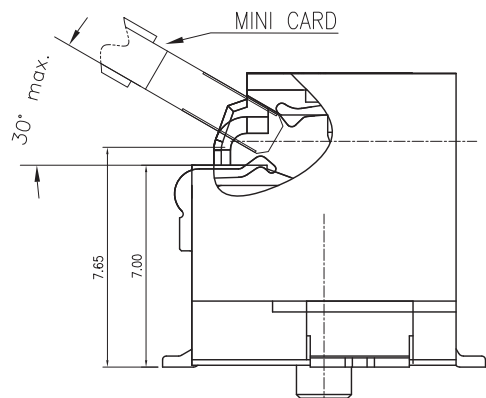
ORDER INFORMATION

MXM-W095EP2-024206-LF
SERIES | | | LEADFREE
| | | 24+206 PIN
| | | EAR+POST/2
| | | HIGH 9.5mm
| | | 90°SMT

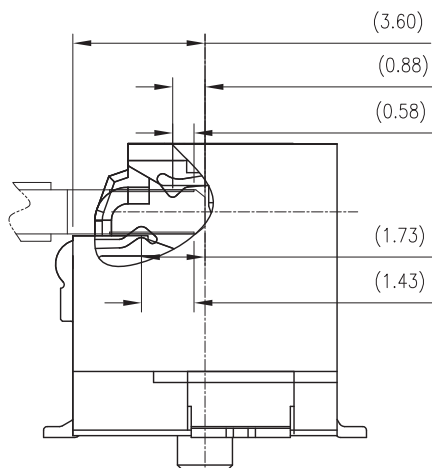
煜倫股份有限公司

www.morethanall.com

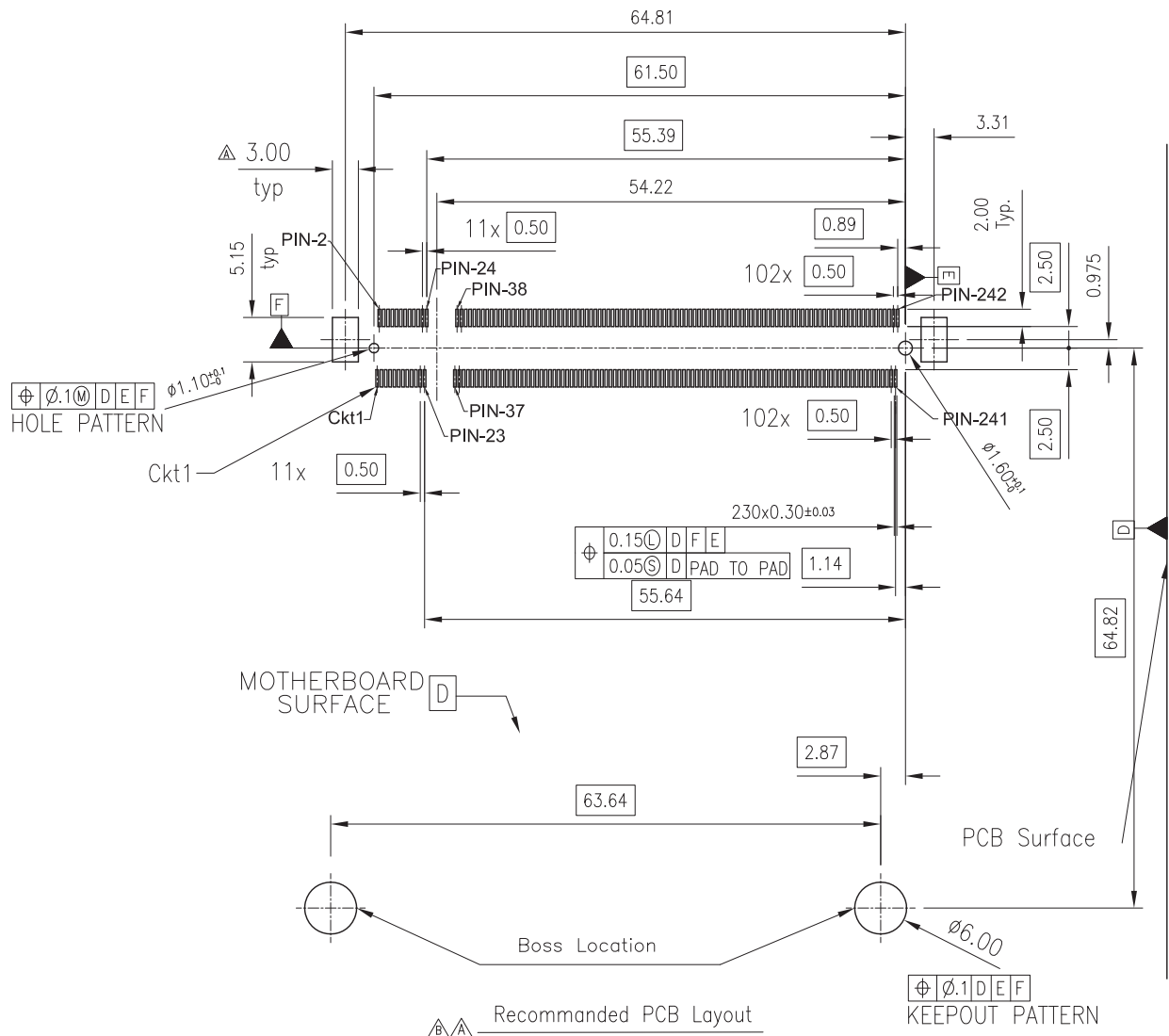
DESCRIPTION: MXM 230 pins 0.5mm pitch Edge Card Conn.
R/A D/R STD H=9.5mm (BTB H=7.0)



PCB 30° MAX In conn. Scale 3:1



PCB on 90° Scale 3:1



Recommended PCB Layout

KEEP-OUT PATTERN

RoHS Compliant

TOLERANCES ARE

MORETHANALL
PCB CONNECTORS
Cable ASSEMBLIES

煜倫股份有限公司

www.morethanall.com

DRAWING BY CY

CHECKED BY GENIUS

UNIT / mm

SCALE 1 : 1

DATE

SIZE A4

X ± 0.50
X ± 0.25
.XX ± 0.15
.XXX ± 0.10
ANG ±

PJECTION



ORDER INFORMATION

MXM-W095EP2-024206-LF
SERIES | LEADFREE
24+206 PIN
EAR+POST/2
HIGH 9.5mm
90°SMT

DESCRIPTION: MXM 230 pins 0.5mm pitch Edge Card Conn.
R/A D/R STD H=9.5mm (BTB H=7.0)