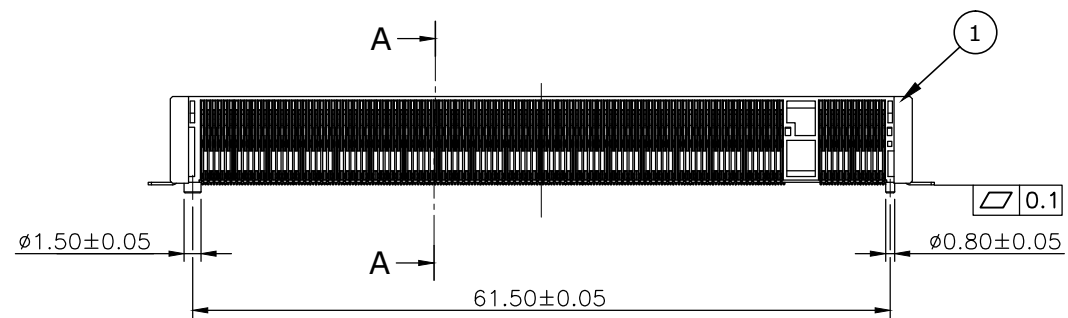
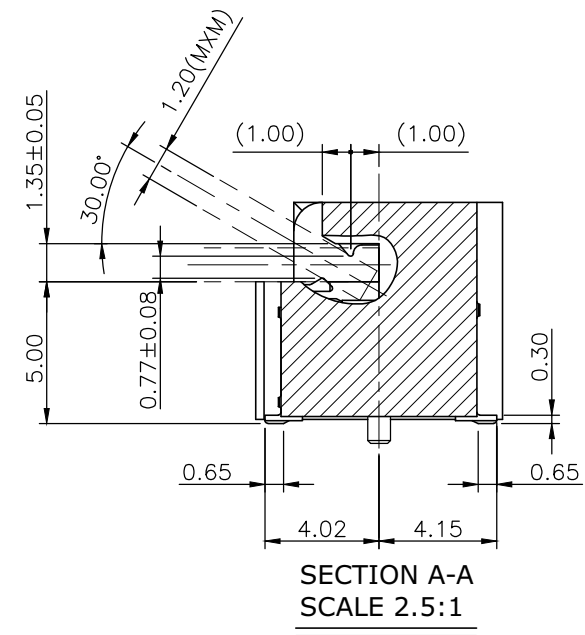
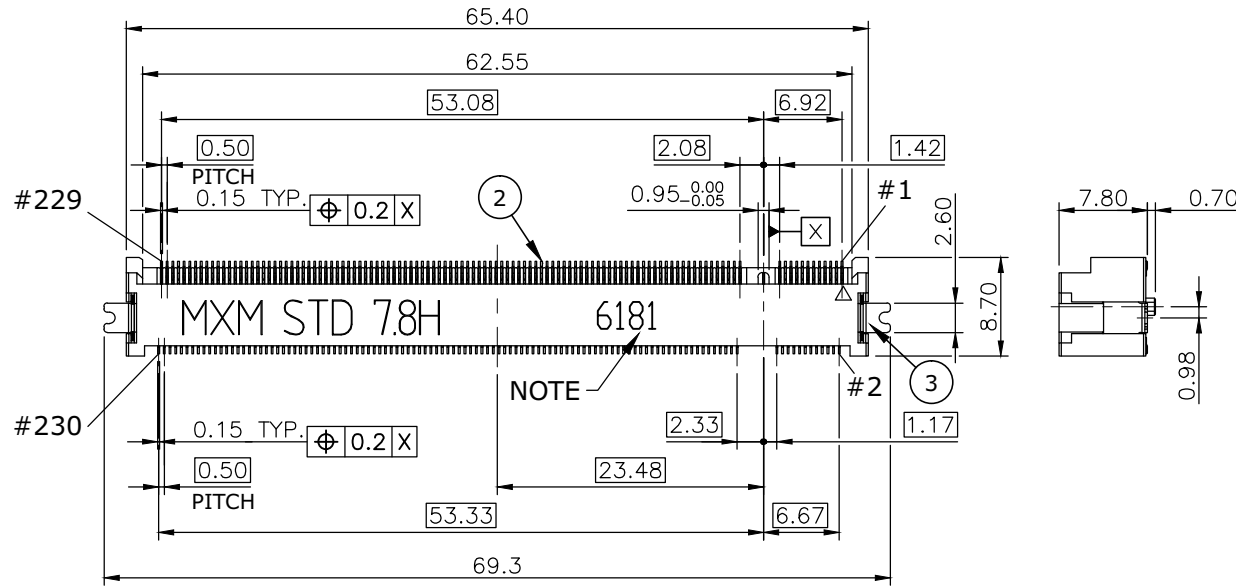


NOTE:
 DATE CODE:6181 (YWWDD)
 Y : YEAR(2016)
 WW: WEEK (01q 52)
 D : DAY (1q 7)



3	SOLDERPEG	Copper Alloy,Matte TIN 80u" MIN. Ni Under Plated 60u" MIN.
2	CONTACT	Copper Alloy,Contact: Au Plated 5u" MIN. Ni Under Plated 60u" MIN.
1	HOUSING	LCP, UL94V-0, Black
NO.	PART NAME	DESCRIPTION

RoHS Compliant

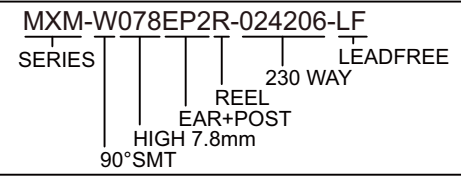
TOLERANCES ARE

MORETHANALL
 PCB CONNECTORS
 Cable ASSEMBLIES
 煜倫股份有限公司
 www.morethanall.com

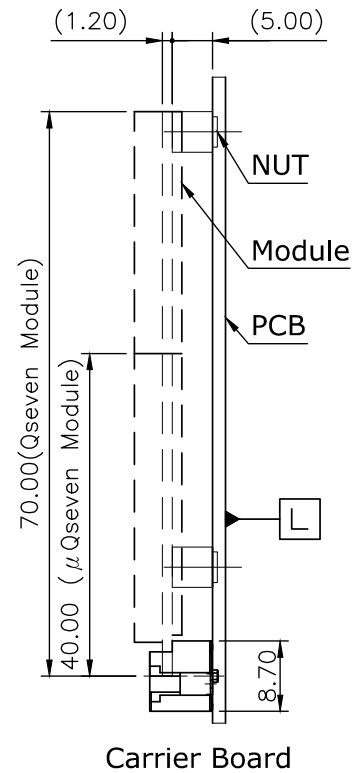
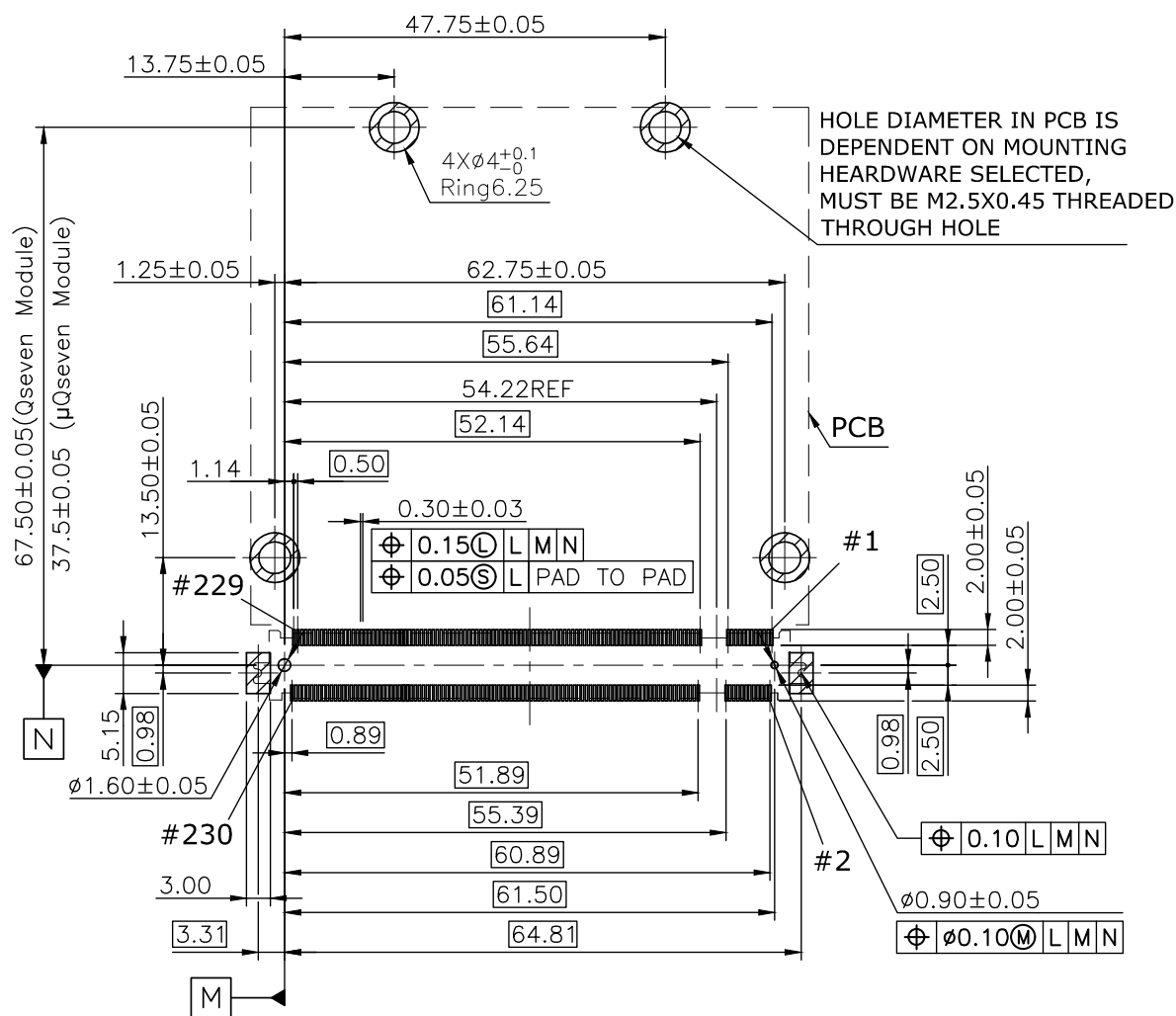
DRAWING BY	CY	X. ± 0.50
CHECKED BY	GENIUS	.X ± 0.25
UNIT / mm	SCALE 1:1	.XX ± 0.12
DATE		.XXX ±
SIZE A4	PJECTION	ANG ±

照片框

ORDER INFORMATION



DESCRIPTION: MXM 230 pin for Qseven 0.5 Pitch, 7.8H, Standard Type, Reel



RECOMMENDED LAYOUT
GENERAL TOLERANCE: ±0.05

MORETHANALL
PCB CONNECTORS
Cable ASSEMBLIES

煜倫股份有限公司

www.morethanall.com

RoHS Compliant

DRAWING BY CY

CHECKED BY GENIUS

UNIT / mm SCALE 1 : 1

DATE

SIZE A4

TOLERANCES ARE

X ± 0.50

.X ± 0.25

.XX ± 0.12

.XXX ±

ANG ±

PJECTION

照片框

ORDER INFORMATION

MXM-W078EP2R-024206-LF

SERIES

REEL

EAR+POST

230 WAY

LEADFREE

HIGH 7.8mm

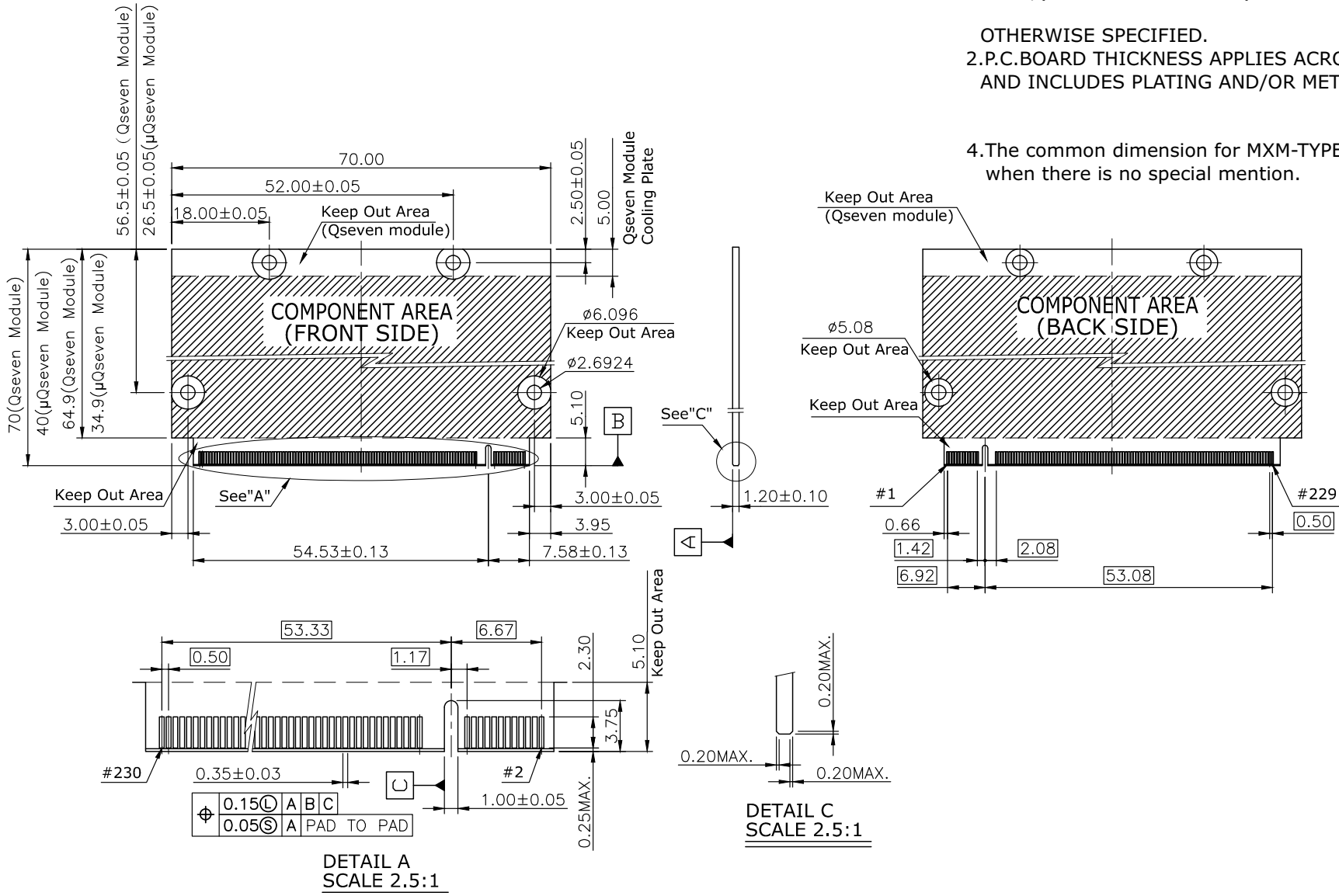
90°SMT

DESCRIPTION: MXM 230 pin for Qseven 0.5 Pitch, 7.8H, Standard Type, Reel

NOTES;(APPLIED TO SHEET 3)

OTHERWISE SPECIFIED.
 2.P.C.BOARD THICKNESS APPLIES ACROSS TABS
 AND INCLUDES PLATING AND/OR METALIZATION.

4.The common dimension for MXM-TYPE I,II,III
 when there is no special mention.



DETAIL A
 SCALE 2.5:1

DETAIL C
 SCALE 2.5:1

RoHS Compliant

TOLERANCES ARE

MORETHANALL
 PCB CONNECTORS
 Cable ASSEMBLIES

DRAWING BY CY
 CHECKED BY GENIUS
 UNIT / mm SCALE 1:1
 DATE
 SIZE A4 PPROJECTION

X ± 0.50
 .X ± 0.25
 .XX ± 0.12
 .XXX ±
 ANG ±

照片框

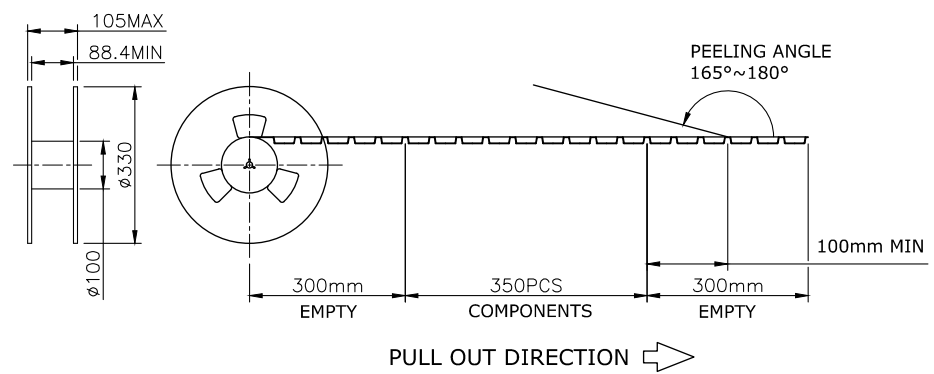
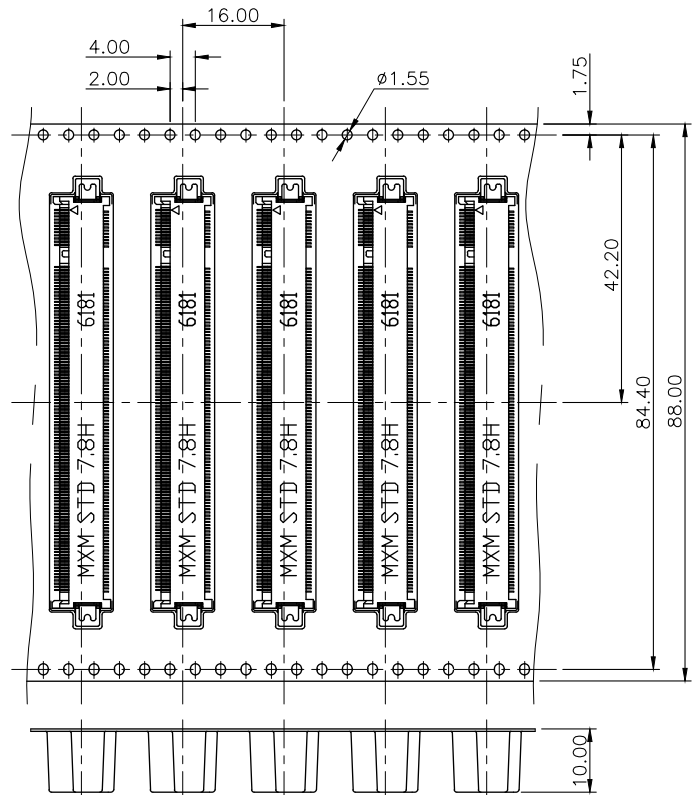
ORDER INFORMATION

MXM-W078EP2R-024206-LF
 SERIES REEL 230 WAY LEADFREE
 EAR+POST
 HIGH 7.8mm
 90°SMT

DESCRIPTION: MXM 230 pin for Qseven 0.5 Pitch, 7.8H, Standard Type, Reel

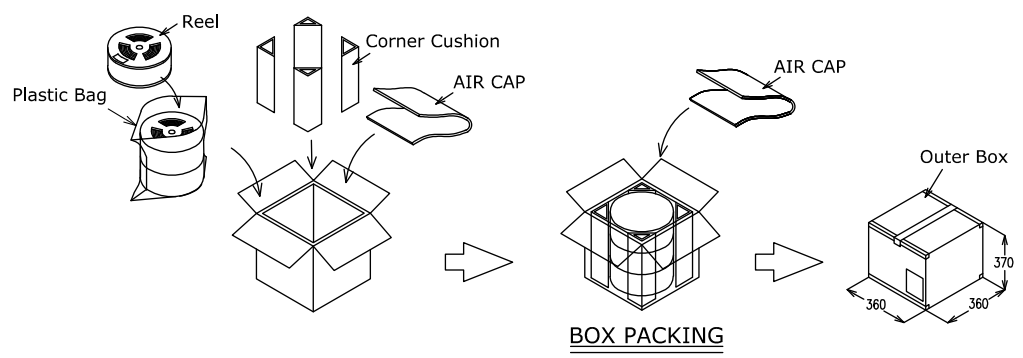
煜倫股份有限公司

www.morethanall.com



PACKAGING SPECIFICATION:

- 1. PACKING
- 1.1 Quantity:
 - 350Piece/ Reel
 - 1050 Piece/ Carton



BOX PACKING

照片框

RoHS Compliant

TOLERANCES ARE

MORETHANALL
PCB CONNECTORS
Cable ASSEMBLIES

DRAWING BY CY

X. ± 0.50

CHECKED BY GENIUS

.X ± 0.25

UNIT / mm

SCALE 1 : 1

.XX ± 0.12

DATE

.XXX ±

ANG ±

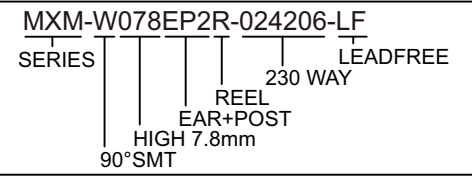
煜倫股份有限公司

www.morethanall.com

SIZE A4

PJECTION

ORDER INFORMATION



DESCRIPTION: MXM 230 pin for Qseven 0.5 Pitch, 7.8H, Standard Type, Reel